

**Traffic & Parking Subcommittee
2 December 2021**

Report for Agenda Item | Rīpoata mot e Rāraki take 1

Department: Property & Infrastructure

Title | Taitara Additional parking restrictions under the Traffic and Parking Bylaw 2018

PURPOSE OF THE REPORT | TE TAKE MŌ TE PŪRONGO

- 1 The purpose of this report is to assist the Subcommittee to determine proposed new public transport bus stop locations complete with infrastructure provision and street furniture, and requisite amendments to parking restrictions.

EXECUTIVE SUMMARY | WHAKARĀPOPOTOTANGA MATUA

- 2 The Queenstown Lakes District Council Traffic and Parking Bylaw 2018 (the bylaw) regulates parking and the use of roads and public spaces under Council's control.
- 3 The bylaw was adopted by Council at its 13 December 2018 meeting and came into effect on 1 March 2019.
- 4 The Queenstown Lakes District Council, with support from the public transport operating authority Otago Regional Council (ORC), is proposing improved bus stop infrastructure for delivery as a second tranche to the PT Mode Shift Minor Improvements Programme (Low Cost Low Risk) in the Wakatipu basin. This requires changes to existing on-street parking.
- 5 The parking restrictions proposed fall under the below categories. These restrictions either support the Land Transport (Road User) Rule 2004 (the Rule) or fall outside the Rule but are supported by the Queenstown Lakes District Council Traffic and Parking Bylaw 2018:
 - No Stopping restrictions
 - No Stopping except for buses restrictions
- 6 The locations proposed in this report have been identified for marking or signage and subsequent enforcement to address safety and operational needs for public transport locations raised by the public, councillors, on behalf of the public or identified by council officers.
- 7 Consultation has been undertaken in two forms: a request for feedback via webpage and by individual letters addressed to adjacent properties. This complies with Council's requirements to consult under LGA 2002 s82 and LGA 1974 s339 for each bus stop and that information has been included for the Subcommittee's consideration.

RECOMMENDATION | NGĀ TŪTOHUNGA

8 That the Council:

1. **Note** the contents of this report and in particular the public consultation undertaken and documented in relation to the proposed bus stop locations, associated infrastructure and street furniture, and requisite parking changes.
2. **Approve** changes to the new and existing restrictions applying to the on-road and off-road parking restrictions as set out in Attachment A - Additional parking restrictions. These will come into force once signage and road marking is complete.
3. **Approve** the establishment of bus stops and associated infrastructure as set out in Attachment A - Additional Parking Restrictions.

Prepared by: Brandon Ducharme



Brandon Ducharme
Sr. Development Infrastructure
Engineer
18/11/2021

Reviewed and Authorised by:



Peter Hansby
General Manager, Property &
Infrastructure
18/11/2021

CONTEXT | HORPOAKI

- 1 The Queenstown Lakes District Council Traffic and Parking Bylaw 2018 (the bylaw) regulates parking and the use of roads and public spaces under Council's control.
- 2 Changes to existing restrictions or the implementation of new restrictions for public transport bus stops requires a Council resolution prior to implementation.
- 3 Minor Improvements to public transport infrastructure and requisite traffic restrictions (including parking controls) are required throughout the district, often in response to requests from the public or businesses citing public transport needs, and/or safety or accessibility concerns. Opportunities for improvements are also identified by staff when considering changes in public transport and parking use patterns, demand, or as the development or master planning of town centres continues.
- 4 Issues include: damage to Council's above and below ground infrastructure; increasing risk to road user safety by blocking sight lines and narrowing roadways; and restricted road widths preventing public transport and emergency vehicles getting through.

ANALYSIS AND ADVICE | TATĀRITANGA ME NGĀ TOHUTOHU

Parking Changes to facilitate proposed Public Transport Infrastructure in the District

- 5 This report seeks to restrict, amend or remove permitted parking that is in place to enable public transport infrastructure. This will ensure enforceability under the bylaw.
- 6 Information on the restrictions applying across the district must be publicly available consistent with the requirements of the Land Transport Act 1998.

District Plan considerations and implications

- 7 The District Plan outlines the requirements for parking and traffic to complement Council's overall land use goals and objectives for district development.
- 8 The Transport chapter of the district plan endeavours to support mode use change by reducing parking requirements within commercial developments, encouraging off street parking in residential developments and increasing densities around town centres.

Enforcement

- 9 Enforcement will only occur when appropriately marked and/or signed within the areas described in Attachment A.

Relevant considerations

- 10 Clause 5.1 of the bylaw provides:

5.1 In making a resolution under this bylaw, the Council will take into account the following considerations, if and to the extent they are relevant and in proportion to the significance of the decision:

- (a) the purpose of this bylaw;
- (b) the statutory context of the relevant bylaw-making power under section 22AB of the Land Transport Act 1998 and/or Part 8 of the Local Government Act 2002, as the case may be;
- (c) the public interest in a safe and efficient road transport system and the Council’s contribution to that objective in relation to roads under its control;
- (d) the likely effect of the decision on members of the public or categories of the public;
- (e) the nature and extent of the problem being addressed by the proposed decision and the reasonably available options for addressing the problem (if any) apart from making a resolution under this bylaw;
- (f) the public interest in protecting from damage land and assets which are owned or under the control of the Council.

11 The purpose of the bylaw is to regulate parking and the use of vehicles or other traffic on roads and other public places in the Queenstown Lakes District. The other matters are addressed in the discussion below.

Proposed parking restriction changes

12 The proposed parking restrictions are detailed in Appendix A.

13 The following table indicates new or changed NO STOPPING AT ANY TIME (EXCEPT FOR BUSES) restrictions that are not supported by specific national road user rules (such as not parking within 6m of an intersection, not parking within 6m of a bus stop), but support general national road user rules (such as inconsiderately blocking passage) and can be made by resolution of the Subcommittee under the Traffic and Parking Bylaw 2018 under delegation from the Council.

Road or Location	Specific Description
Arrowtown-Lakes Hayes Area	
Arrowtown-Lake Hayes Rd (NB/SB) at Millbrook Cricket Reserve	NO STOPPING AT ALL TIMES except for buses on both (west and east) sides of road to delineate public transport bus stop box with tapers that allow bus to ingress/stop/egress from bus stop safely. Installation of two new passenger bus shelters with ski rack and seating, new bike racks, sign and pole, and tactile pavers. Establishment of pedestrian refuge for crossing with street lighting also included in scope.
Queenstown Area	
Gorge Road (NB/SB)	Modification to existing NO STOPPING AT ALL TIMES except for buses on right (east) side of road to delineate public transport bus stop box with tapers that allow bus to ingress/stop/egress from bus stop safely.

	<p>Existing shelters needing slight modifications only, install two new benches, install two new ski racks, and tactile pavers.</p> <p>Establishment of pedestrian refuge for crossing.</p>
Frankton Area	
Ferry Hill (NB)	<p>NO STOPPING AT ALL TIMES except for buses on left (west) side of road to delineate public transport bus stop box with tapers that allow bus to ingress/stop/egress from bus stop safely.</p> <p>Installation of new passenger bus shelter with ski rack and seating, new bike rack, sign and pole, and tactile pavers.</p> <p>Refurbishment (or replacement) of damaged mailbox with relocation, and planting of 4x Olearia paniculata for screening opposite bus stop.</p> <p>Additional NO STOPPING AT ALL TIMES around cul-de-sac for transport bus service turning in cul-de-sac</p>
Grant Rd (SB)	<p>NO STOPPING AT ALL TIMES except for buses on right (east) side of road to delineate public transport bus stop box with tapers that allow bus to ingress/stop/egress from bus stop safely.</p> <p>Installation of new passenger bus shelter with ski rack and seating, new bike rack, sign and pole, and tactile pavers.</p>
Hanley Farm	
Jack Hanley Drive at Hanley Farm Park (WB/EB) – Hanley Farm	<p>NO STOPPING AT ALL TIMES except for buses on both (west and east) sides of road to delineate public transport bus stop box with tapers that allow bus to ingress/stop/egress from bus stop safely.</p> <p>Installation of two new passenger bus shelters with ski rack and seating, new bike racks, sign and pole, and tactile pavers.</p> <p>Establishment of pedestrian crossing as raised table with zebra crossing, with street lighting also included in scope.</p>
Jack Hanley Drive at Fallow St (WB) – Hanley Farm	<p>NO STOPPING AT ALL TIMES except for buses on South side of road to delineate public transport bus stop box with tapers that allow bus to ingress/stop/egress from bus stop safely.</p> <p>Installation of sign and pole, and tactile pavers.</p>
Howden Drive (NB/SB)	<p>NO STOPPING AT ALL TIMES except for buses on West side of road to delineate public transport bus stop box with tapers that allow bus to ingress/stop/egress from bus stop safely.</p> <p>Installation of two new passenger bus shelters with ski rack and seating, new bike racks, sign and pole, and tactile pavers.</p>

14 The Summary of Consultation is provided below and in the attachments.

Options

15 **Option 1: Approve the parking restrictions as identified in this report**

Advantages:

- 16 Enables Public Transport as a mode choice to offset loss of on-street car parking.
- 17 Encourages off-street parking in commercial, residential and high density areas.
- 18 Improves level of service for transport infrastructure.
- 19 Supports the requests from the public to improve access and safety, and address issues raised by council officers to improve the operation of public transport and parking in the district.
- 20 Can improve the safety of roads for all users including pedestrians and cyclists
- 21 Can improve the community's understanding of requirements for enforcement
- 22 Is consistent with the Council's Enforcement and Prosecution Policy
- 23 Enables effective and lawful enforcement to maintain operability and consistent level of service in public transport infrastructure.

Disadvantages:

- 24 Reduction of available on street car parking available.
- 25 Will result in more on-street parking in commercial, residential and high density areas.
- 26 May cause conflict with vehicle owners receiving infringements for parking in restricted areas.
- 27 May result in displacement of vehicles to areas that are not subject to the restrictions.
- 28 Dissatisfies the opposing resident and property owner; despite reasonable and practicable mitigations for risk going forward.

29 **Option 2: Not approve the parking restrictions as identified in this report**

Advantages:

- 30 Avoid loss of on street parking
- 31 Avoid dissatisfying the opposing resident and property owner.
- 32 No cause for conflict with vehicle owners receiving infringements for parking in restricted areas

33 Will not result in the displacement of vehicles to other areas

Disadvantages:

34 Limited Transport mode choices and perpetuates car dependencies.

35 Unsatisfactory level of service, operability and unlawfulness for public transport infrastructure.

36 Does not address safety and operational issues raised by the public and council officers.

37 Will not improve road safety for all users

38 Does not provide an opportunity to improve the community's understanding of enforcement requirements

39 Is not consistent with the Council's Enforcement and Prosecution Policy

40 Does not enable effective and lawful enforcement

41 This report recommends Option 1 for addressing the matter because it addresses issues raised by the public and council officers to improve safety and operations.

CONSULTATION PROCESS | HĀTEPE MATAPAKI:

> SIGNIFICANCE AND ENGAGEMENT | TE WHAKAMAHI I KĀ WHAKAARO HIRAKA

42 This matter is of low significance, as determined by reference to the Council's Significance and Engagement Policy because amended and additional parking restrictions are based on community feedback, Council Officer recommendations and outputs from master planning requirements. The proposed restrictions will affect a relatively small number of residents, ratepayers and visitors. It is considered that the proposed amendments provide a wider public benefit to offset the local impact.

43 The persons who are affected by or interested in this matter are residents/ratepayers; visitors, business associations; emergency services; schools; large tourism transport operators; passenger service vehicles; heavy motor vehicle users; Otago Regional Council (ORC), Waka Kotahi (NZ Transport Agency).

44 The Council has completed a full bylaw review during 2018. Significant formal and informal engagement was completed with the community and key stakeholders.

45 Because residents adjacent to the proposed stops are more directly affected, to comply with its consultation obligations under s 82 of the LGA 2002 the Council has provided information about the changes to affected residences and sought their comment.

- 46 The Council has completed an online consultation for Hanley Farm and Lake Hayes Estate. Significant formal and informal engagement was completed with the community and key stakeholders.
- 47 Affected residences were informed via letters to comply with obligations under LGA 1974. S339.
- 48 Owner/Occupier’s feedback from adjacent residences to the proposed bus stops opposed the proposals due to concern of increased noise, privacy and visual intrusion interference with rubbish and recycling bins, and safe entry/access from their driveway.
- 49 A summary of all consultation feedback and mitigation offered by Council officers is tabulated below for each site.

Road or Location	Specific Description														
Arrowtown-Lakes Hayes Area															
Arrowtown-Lake Hayes Rd (NB/SB) at Millbrook Cricket Reserve	Summary of feedback received from submissions														
	Submission 1														
	<table border="1"> <thead> <tr> <th>Issues</th> <th>QLDC Resolved</th> </tr> </thead> <tbody> <tr> <td>Stormwater concerns – existing issue.</td> <td>Stormwater designed/scruffy dome</td> </tr> <tr> <td>Visual Intrusion / Protection of signage on triangle land</td> <td>Design in public road reserve only, shifted to mitigate signage visibility</td> </tr> <tr> <td>Location of bus stop</td> <td>Collocated to community services (park) and McDonnell Road Catchment area. Connectivity to existing footpaths along Malaghans Rd.</td> </tr> <tr> <td>Aesthetics to fit sensitive area</td> <td>Minor design mitigations (block look concrete work for kerbing).</td> </tr> <tr> <td>Request Better policing of illegal parking</td> <td>Monitoring operations once project is complete.</td> </tr> <tr> <td>Lighting concerns</td> <td>Integrated in Design for crossing.</td> </tr> </tbody> </table>	Issues	QLDC Resolved	Stormwater concerns – existing issue.	Stormwater designed/scruffy dome	Visual Intrusion / Protection of signage on triangle land	Design in public road reserve only, shifted to mitigate signage visibility	Location of bus stop	Collocated to community services (park) and McDonnell Road Catchment area. Connectivity to existing footpaths along Malaghans Rd.	Aesthetics to fit sensitive area	Minor design mitigations (block look concrete work for kerbing).	Request Better policing of illegal parking	Monitoring operations once project is complete.	Lighting concerns	Integrated in Design for crossing.
	Issues	QLDC Resolved													
	Stormwater concerns – existing issue.	Stormwater designed/scruffy dome													
	Visual Intrusion / Protection of signage on triangle land	Design in public road reserve only, shifted to mitigate signage visibility													
	Location of bus stop	Collocated to community services (park) and McDonnell Road Catchment area. Connectivity to existing footpaths along Malaghans Rd.													
	Aesthetics to fit sensitive area	Minor design mitigations (block look concrete work for kerbing).													
	Request Better policing of illegal parking	Monitoring operations once project is complete.													
	Lighting concerns	Integrated in Design for crossing.													
	Submission 2														
	<table border="1"> <thead> <tr> <th>Issues</th> <th>QLDC Resolved</th> </tr> </thead> <tbody> <tr> <td>Stormwater concerns</td> <td>Stormwater designed crossfalls to road</td> </tr> <tr> <td>Gravel containment</td> <td>Boxed Timber Footpath on property side</td> </tr> <tr> <td>Rubbish</td> <td>Provision for rubbish bins if it becomes a problem</td> </tr> <tr> <td>Speed</td> <td>Change in road environment will help discourage speeding</td> </tr> </tbody> </table>	Issues	QLDC Resolved	Stormwater concerns	Stormwater designed crossfalls to road	Gravel containment	Boxed Timber Footpath on property side	Rubbish	Provision for rubbish bins if it becomes a problem	Speed	Change in road environment will help discourage speeding				
	Issues	QLDC Resolved													
	Stormwater concerns	Stormwater designed crossfalls to road													
Gravel containment	Boxed Timber Footpath on property side														
Rubbish	Provision for rubbish bins if it becomes a problem														
Speed	Change in road environment will help discourage speeding														

Queenstown Area																					
Gorge Road (NB/SB)	Existing bus stops and shelters, with no material changes to parking – no consultation																				
Frankton Area																					
Ferry Hill (NB)	<p>Summary of feedback received from submissions</p> <p>Submission 1</p> <table border="1"> <thead> <tr> <th><u>Issues</u></th> <th><u>QLDC Resolved</u></th> </tr> </thead> <tbody> <tr> <td>Location is acceptable, would support alternative locations closer to Snowden Lane as safety of intersection is a concern.</td> <td>Keep Location as proposed setback from Snowden Lane.</td> </tr> </tbody> </table> <p>Submission 2</p> <table border="1"> <thead> <tr> <th><u>Issues</u></th> <th><u>QLDC Resolved</u></th> </tr> </thead> <tbody> <tr> <td>Privacy/Visual Intrusion</td> <td>Plant Olearia paniculata x 4 (advised by QLDC arborist) opposite of shelter to provide screening.</td> </tr> <tr> <td>Noise</td> <td>Pick up drop-off location only, not a terminus or waiting location</td> </tr> <tr> <td>Speed</td> <td>Shifted design in public road reserve only to mitigate objection</td> </tr> </tbody> </table> <p>Submission 3</p> <table border="1"> <thead> <tr> <th><u>Issues</u></th> <th><u>QLDC Resolved</u></th> </tr> </thead> <tbody> <tr> <td>Post Box Damage</td> <td>Relocate and refurbish (or replace).</td> </tr> <tr> <td>Signage in front of property</td> <td>Position can be located just down from where shown and confirmed on site.</td> </tr> <tr> <td>Driver movements</td> <td>Will be improved by new turning circle</td> </tr> </tbody> </table>	<u>Issues</u>	<u>QLDC Resolved</u>	Location is acceptable, would support alternative locations closer to Snowden Lane as safety of intersection is a concern.	Keep Location as proposed setback from Snowden Lane.	<u>Issues</u>	<u>QLDC Resolved</u>	Privacy/Visual Intrusion	Plant Olearia paniculata x 4 (advised by QLDC arborist) opposite of shelter to provide screening.	Noise	Pick up drop-off location only, not a terminus or waiting location	Speed	Shifted design in public road reserve only to mitigate objection	<u>Issues</u>	<u>QLDC Resolved</u>	Post Box Damage	Relocate and refurbish (or replace).	Signage in front of property	Position can be located just down from where shown and confirmed on site.	Driver movements	Will be improved by new turning circle
<u>Issues</u>	<u>QLDC Resolved</u>																				
Location is acceptable, would support alternative locations closer to Snowden Lane as safety of intersection is a concern.	Keep Location as proposed setback from Snowden Lane.																				
<u>Issues</u>	<u>QLDC Resolved</u>																				
Privacy/Visual Intrusion	Plant Olearia paniculata x 4 (advised by QLDC arborist) opposite of shelter to provide screening.																				
Noise	Pick up drop-off location only, not a terminus or waiting location																				
Speed	Shifted design in public road reserve only to mitigate objection																				
<u>Issues</u>	<u>QLDC Resolved</u>																				
Post Box Damage	Relocate and refurbish (or replace).																				
Signage in front of property	Position can be located just down from where shown and confirmed on site.																				
Driver movements	Will be improved by new turning circle																				
Grant Rd (SB)	No feedback received; queries on timing of construction and coordinating design lines for kerb build outs were exchanged with Queenstown Central Development Manager.																				
Hanley Farm																					
General HF Subdivision online consultation	Generally positive feedback from Hanley Farm Online Submissions supporting new shelter, pedestrian crossings, and locations. The feedback received indicated that 31 support, while 3 submitted as neutral, and there were over 200 page visits.																				
Jack Hanley Drive at Hanley Farm Park	No feedback received.																				

(WB/EB) – Hanley Farm													
Jack Hanley Drive at Fallow St (WB) – Hanley Farm	<p>Summary of feedback received from submissions</p> <p>Submission 1 – notwithstanding QLDC’s revised lower impact proposal the resident maintains objection to the proposal.</p> <table border="1" data-bbox="507 465 1433 1120"> <thead> <tr> <th data-bbox="507 465 992 506"><u>Issues</u></th> <th data-bbox="992 465 1433 506"><u>QLDC Resolved</u></th> </tr> </thead> <tbody> <tr> <td data-bbox="507 506 992 792">Future forward look at subdivision planning</td> <td data-bbox="992 506 1433 792"> Low impact design to mitigate impact of risk of potential disestablishment from this location. Route is limited for options at present time and will evolve with subdivision coming online. </td> </tr> <tr> <td data-bbox="507 792 992 864">Location of stop</td> <td data-bbox="992 792 1433 864">Meets minimum level of service requirements.</td> </tr> <tr> <td data-bbox="507 864 992 936">Privacy/Visual Intrusion</td> <td data-bbox="992 864 1433 936">Proposed low impact design with no shelter.</td> </tr> <tr> <td data-bbox="507 936 992 1043">Tree Removal</td> <td data-bbox="992 936 1433 1043">Proposed low impact design with reduced hard stand to maintain existing tree.</td> </tr> <tr> <td data-bbox="507 1043 992 1120">Noise</td> <td data-bbox="992 1043 1433 1120">Pick up drop-off location only, not a terminus or waiting location</td> </tr> </tbody> </table>	<u>Issues</u>	<u>QLDC Resolved</u>	Future forward look at subdivision planning	Low impact design to mitigate impact of risk of potential disestablishment from this location. Route is limited for options at present time and will evolve with subdivision coming online.	Location of stop	Meets minimum level of service requirements.	Privacy/Visual Intrusion	Proposed low impact design with no shelter.	Tree Removal	Proposed low impact design with reduced hard stand to maintain existing tree.	Noise	Pick up drop-off location only, not a terminus or waiting location
<u>Issues</u>	<u>QLDC Resolved</u>												
Future forward look at subdivision planning	Low impact design to mitigate impact of risk of potential disestablishment from this location. Route is limited for options at present time and will evolve with subdivision coming online.												
Location of stop	Meets minimum level of service requirements.												
Privacy/Visual Intrusion	Proposed low impact design with no shelter.												
Tree Removal	Proposed low impact design with reduced hard stand to maintain existing tree.												
Noise	Pick up drop-off location only, not a terminus or waiting location												
Howden Drive (NB/SB)	<p>Summary of feedback received from submissions</p> <p>Submission 1</p> <table border="1" data-bbox="507 1249 1433 1361"> <thead> <tr> <th data-bbox="507 1249 992 1290"><u>Issues</u></th> <th data-bbox="992 1249 1433 1290"><u>QLDC Resolved</u></th> </tr> </thead> <tbody> <tr> <td data-bbox="507 1290 992 1361">Gate Access</td> <td data-bbox="992 1290 1433 1361">Shelter to be positioned +/- 0.5m to maintain gate access ability.</td> </tr> </tbody> </table> <p>Submission 2</p> <table border="1" data-bbox="507 1456 1433 1818"> <thead> <tr> <th data-bbox="507 1456 992 1496"><u>Issues</u></th> <th data-bbox="992 1456 1433 1496"><u>QLDC Resolved</u></th> </tr> </thead> <tbody> <tr> <td data-bbox="507 1496 992 1603">Location of Stop is acceptable and will be a great asset to the community.</td> <td data-bbox="992 1496 1433 1818" rowspan="3">Keep location and proceed with construction as per design.</td> </tr> <tr> <td data-bbox="507 1603 992 1675">Location Has a positive impact on amenity value of house.</td> </tr> <tr> <td data-bbox="507 1675 992 1818">Supports mode shift to reduce reliance on vehicles to improve traffic levels, pollution and climate problems.</td> </tr> </tbody> </table>	<u>Issues</u>	<u>QLDC Resolved</u>	Gate Access	Shelter to be positioned +/- 0.5m to maintain gate access ability.	<u>Issues</u>	<u>QLDC Resolved</u>	Location of Stop is acceptable and will be a great asset to the community.	Keep location and proceed with construction as per design.	Location Has a positive impact on amenity value of house.	Supports mode shift to reduce reliance on vehicles to improve traffic levels, pollution and climate problems.		
<u>Issues</u>	<u>QLDC Resolved</u>												
Gate Access	Shelter to be positioned +/- 0.5m to maintain gate access ability.												
<u>Issues</u>	<u>QLDC Resolved</u>												
Location of Stop is acceptable and will be a great asset to the community.	Keep location and proceed with construction as per design.												
Location Has a positive impact on amenity value of house.													
Supports mode shift to reduce reliance on vehicles to improve traffic levels, pollution and climate problems.													

50 Bus stops proposing shelters that have objections that could not be resolved through direct engagement have been deferred for a separate governance decision in accordance with LGA 1974 s.339.

> MĀORI CONSULTATION | IWI RŪNANGA

51 The Council has not sought the specific views of iwi for these operational changes.

RISK AND MITIGATIONS | NGĀ RARU TŪPONO ME NGĀ WHAKAMAURUTANGA

52 This matter relates to the Regulatory/Legal/Compliance risk category. It is associated with RISK00031 Ineffective management and governance over legislative compliance within the QLDC Risk Register. This risk has been assessed as having a Low inherent risk rating.

53 The approval of the recommended option will support the Council by allowing us to avoid the risk. This shall be achieved by ensuring operational processes are consistent with legal and regulatory requirements to support education and enforcement activities.

FINANCIAL IMPLICATIONS | NGĀ RITENGA Ā-PŪTEA

54 The cost associated with installing the required signage and road markings will be met from current budgets in both Annual Plan 2021/2022 and 2022/2023; Wakatipu - Minor Improvements Low Cost Low Risk (TR).

COUNCIL EFFECTS AND VIEWS | NGĀ WHAKAAWEAWE ME NGĀ TIROHANGA A TE KAUNIHERA

55 The following Council policies, strategies and bylaws were considered:

- Improved level of service in public transport is in alignment with Vision Beyond 2050 in the TYP 21/31 promoting alternate mode choice.
- Traffic and Parking Bylaw 2018 as existing regulation
- Queenstown Integrated Transport Strategy supporting improved network performance and customer experience for all modes and improved liveability and visitor experience

56 The recommended option is consistent with the principles set out in the named policy/policies:

- QLDC Disability Policy
- QLDC Bus Stop Policy

57 This matter is included within the Ten Year Plan/Annual Plan as a specific activity and can be delivered within general infrastructure management activities.

LEGAL CONSIDERATIONS AND STATUTORY RESPONSIBILITIES | KA TURE WHAIWHAKAARO, ME KĀ TAKOHAKA WAETURE

58 This report satisfies the decision-making requirements of Council under the new bylaw pursuant to the Land Transport Act 1998 and the Local Government Act 2002. The bylaw provides a robust platform for the decisions to restrict parking and control

vehicle use that are implemented on land under council’s control. The Council’s legal advisors have advised that the consultation and follow up engagement process that has been carried out is appropriate subject to the Council resolution as requested by the report and the outcome of this agenda item being communicated to the parties consulted with.

LOCAL GOVERNMENT ACT 2002 PURPOSE PROVISIONS | TE WHAKATURETURE 2002 O TE KĀWANATAKA Ā-KĀIKA

59 The recommended option:

- Will help meet the current and future needs of communities for good-quality local infrastructure, local public services, and performance of regulatory functions in a way that is most cost-effective for households and businesses by ensuring efficient and effective administration and enforcement activities
- Can be implemented through current funding under the 10-Year Plan and Annual Plan
- Is consistent with the Council's plans and policies; and
- Would not alter significantly the intended level of service provision for any significant activity undertaken by or on behalf of the Council or transfer the ownership or control of a strategic asset to or from the Council.

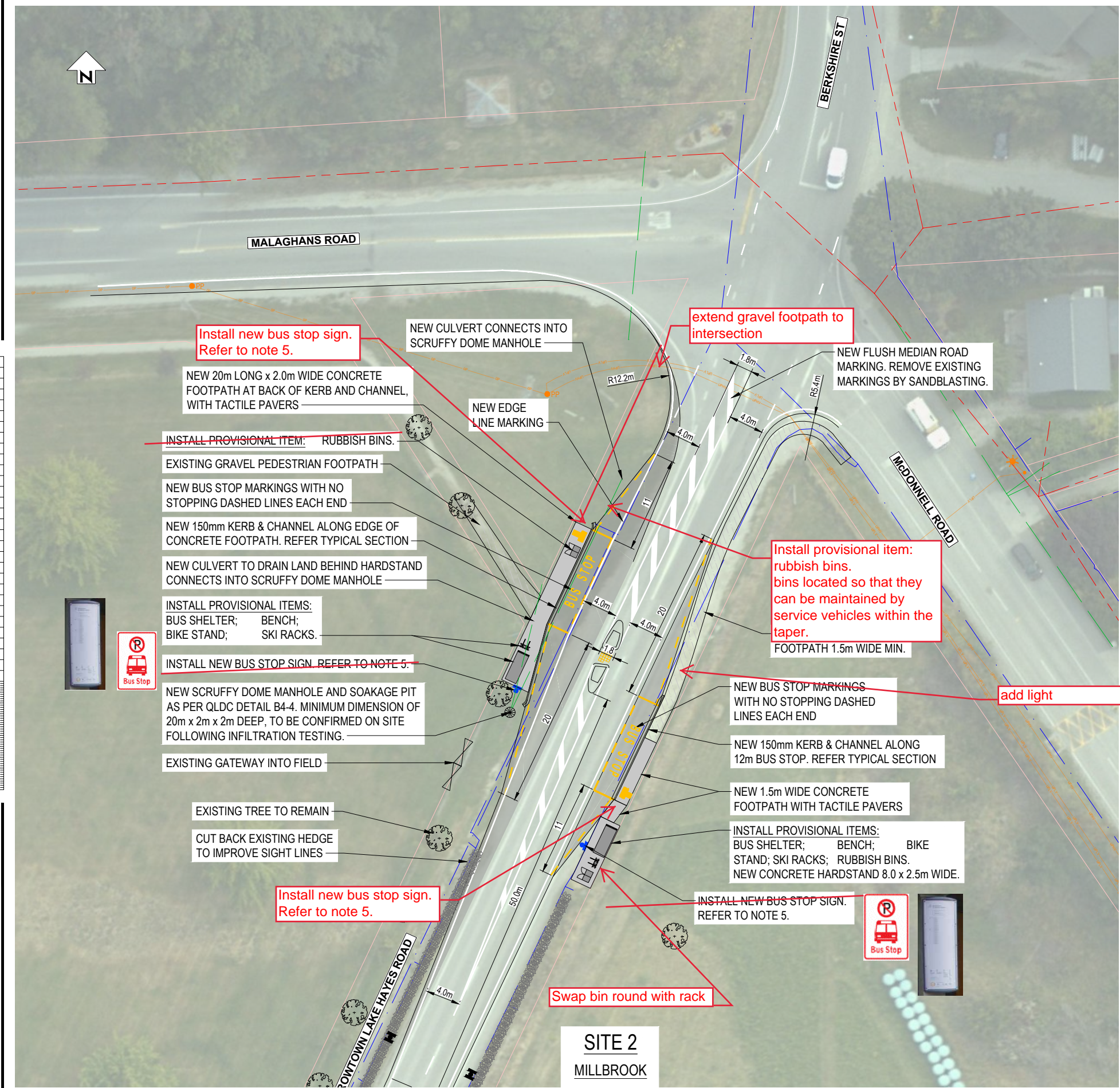
ATTACHMENTS | NGĀ TĀPIRIHANGA

A	Attachment A – Proposed Designs A.1.A/B - Arrowtown-Lake Hayes Rd (NB/SB) at Millbrook Cricket Reserve A.2 Gorge Road (NB/SB) A.3 Ferry Hill (NB) A.4 Grant Rd (SB) A.5 Jack Hanley Drive at Hanley Farm Park (WB/EB) – Hanley Farm A.6 Jack Hanley Drive at Fallow St (WB) – Hanley Farm A.7 Howden Drive (NB/SB)
---	---

DO NOT SCALE - IF IN DOUBT, ASK

ORIGINAL SIZE A1

Last modified: Feb. 2 2021 By Phillip Cook



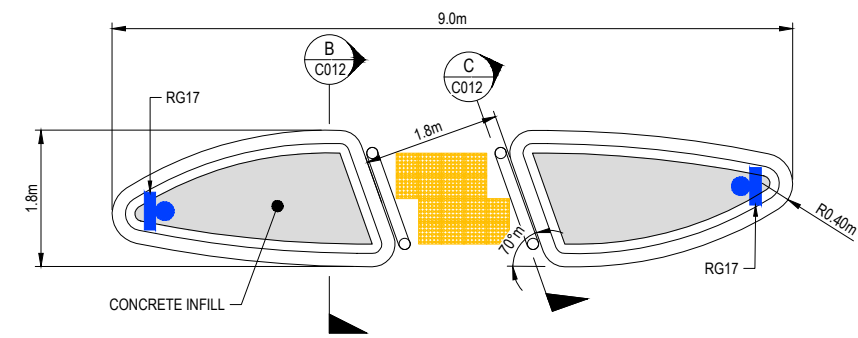
- NOTES**
- CONTRACTOR TO SUPPLY, FABRICATE AND INSTALL NEW QLDC STANDARD BUS SHELTER WITH SKI RACK ACCESSORY FROM CAM NZ OR APPROVED EQUIVALENT.
 - REFER TO OPUS DRAWING 6-XQ081.01-C05 FOR BUS SHELTER DETAILS AND SPECIFICATIONS, DRAWING 6-XQ081.01-C06 FOR BUS SHELTER STANDARD SLAB DETAILS AND 6-XQ081.01-C07 FOR STANDARD BIKE RACK DETAILS.
 - ALL CONSTRUCTION ELEMENTS ARE TO BE IN ACCORDANCE WITH QLDC STANDARD DETAILS, REFER TO LIST ABOVE.
 - ALL TRAFFIC SIGNS AND ROAD MARKINGS TO BE IN ACCORDANCE WITH MOTSAM/TCO.
 - BUS STOP SIGN SUPPLIERS:
 - RP-5 BUS STOP AND POST TO BE SUPPLIED BY CONTRACTOR.
 - TIMETABLE TO BE SUPPLIED BY ORC.
 - SWIVEL BOARD TO BE SUPPLIED BY QLDC.
 - TREES TO BE TRIMMED TO ALLOW FOOTPATH CONSTRUCTION.

SERVICES DISCLAIMER

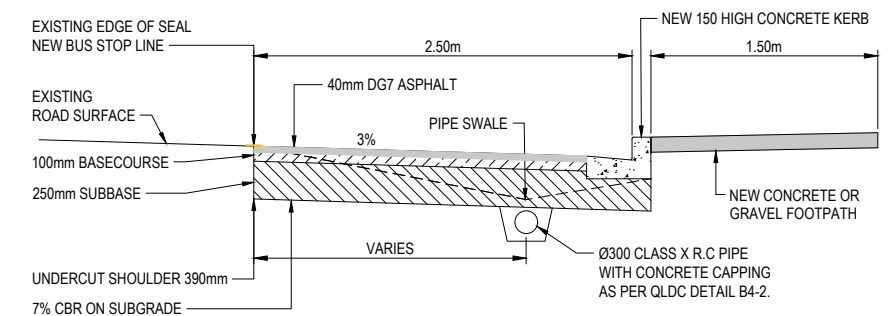
PIPES, CABLES AND OTHER UTILITIES, FOUNDATIONS, LEVELS, REFERENCE MARKS AND OTHER OBSTRUCTIONS INDICATED ON THIS DRAWING ARE BASED ONLY ON READILY AVAILABLE RECORD PLANS AND OTHER INFORMATION. THIS INFORMATION MAY NOT BE COMPLETE, ACCURATE NOR UP TO DATE. PRIOR TO CARRYING OUT ANY EXCAVATION OR OTHER PHYSICAL WORK, CONTRACTORS SHALL OBTAIN THE LATEST INFORMATION FROM UTILITY PROVIDERS AND CARRY OUT DETAILED EXPLORATORY WORK, TRACING, SW LOCATING, PROTECTION, ISOLATION AND ALTERATIONS AS ARE REQUIRED UNDER NZS 3910 CLAUSE 5.13.

QLDC INFRASTRUCTURE CODE PART 4
STANDARD DRAWINGS REFERENCED:

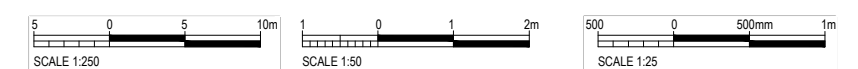
- B5-8 KERB AND DISH CHANNEL (PROFILES)
- B5-22 HEAVY DUTY FOOTPATH (CONCRETE)
- B5-23 FOOTPATH - ASPHALT AND GRITTED DETAILS



TYPICAL PEDESTRIAN REFUGE
SCALE 1 : 50



TYPICAL SWALE CROSS SECTION
SCALE 1 : 25



NOT FOR CONSTRUCTION

REV	DESCRIPTION	DATE	BY	CHK	APP
D	DETAILED DESIGN - WEST SIDE SHELTER MOVED	06/21	PJC	IB	
C	DETAILED DESIGN	05/21	PJC	IB	
B	CLIENT REVIEW	03/21	PJC	WB	
A	PRELIMINARY DESIGN	01/21	PJC	WB	
	REVISIONS		DRN	CHK	APP

SURVEYED		
DESIGNED		
DRAWN	Phillip J Cook	01/21
CAD REVIEW		
DESIGN CHECK		
DESIGN REVIEW		
APPROVED	NOT APPROVED	
PROF REGISTRATION:		

Client

QUEENSTOWN LAKES DISTRICT COUNCIL
MODE SHIFT PT MINOR IMPROVEMENTS TRANCHE 2

MILLBROOK ARROWTOWN-LAKE HAYES RD
LAYOUT PLAN

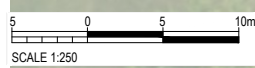
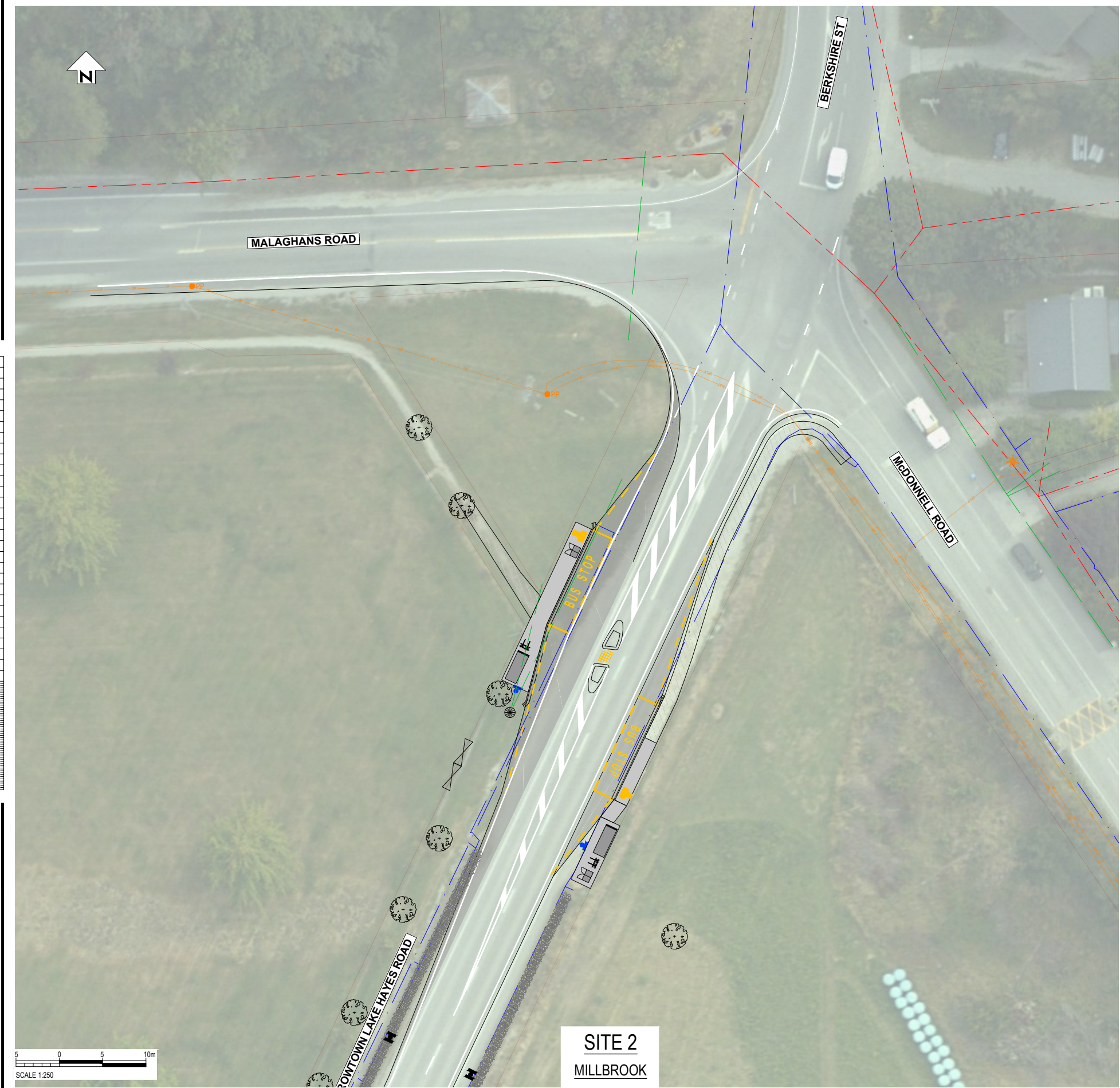
Status Stamp	FOR REVIEW
Date Stamp	10.06.21
Scales	1 : 250
Drawing No.	310204458-T2-002-C011
Rev.	D

DONOT SCALE-IF IN DOUBT, ASK

200mm
150
100
90
80
70
60
50
40
30
20
10
0

ORIGINAL SIZE A1

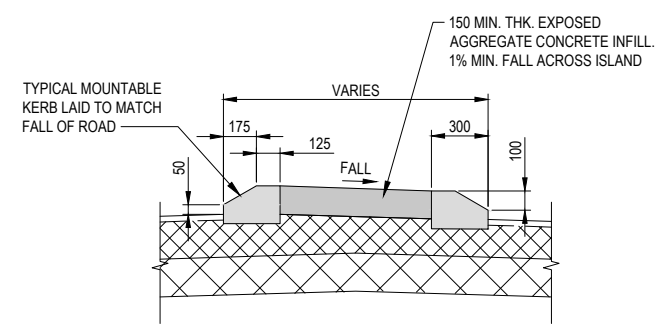
Last modified: Jan 15 2021 By Phillip Cook



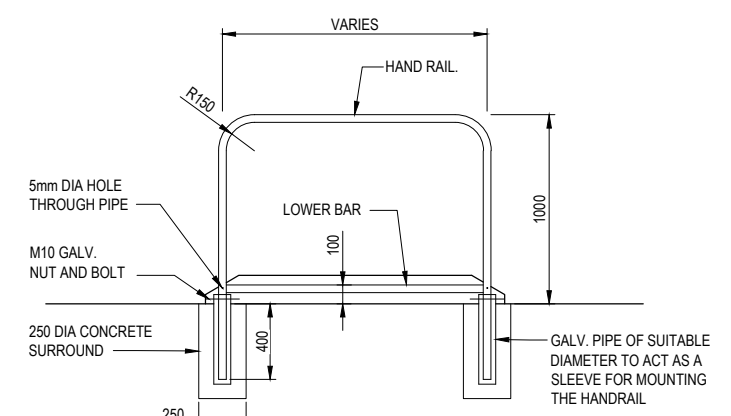
LEGEND	
	STORMWATER
	SANITARY SEWER
	WATER
	FIRE HYDRANT
	COMMUNICATION
	POWER - HV
	POWER - LV
	POWER - LV
	POWERPOLE
	STREET LIGHT
	TRANSFORMER / SWITCH
	POWER PILLAR

WARNING
BEWARE OF UNDERGROUND SERVICES

THE LOCATIONS OF UNDERGROUND SERVICES ARE APPROXIMATE ONLY AND THEIR EXACT POSITION SHOULD BE PROVEN ON SITE NO GUARANTEE IS GIVEN THAT ALL EXISTING SERVICES ARE SHOWN.



SECTION B
SCALE 1 : 20
C011



SECTION C
SCALE 1 : 20
C011
TYPICAL GRAB RAIL DETAIL

NOT FOR CONSTRUCTION

REV	DESCRIPTION	DESIGNED	CHECKED	DATE
D	DETAILED DESIGN - WEST SIDE SHELTER MOVED	PJC	IB	06/21
C	DETAILED DESIGN	PJC	IB	05/21
B	CLIENT REVIEW	PJC	WB	03/21
A	PRELIMINARY DESIGN	PJC	WB	01/21
	REVISIONS	DRN	CHK	APP

SURVEYED		
DESIGNED		
DRAWN	Phillip J Cook	01/21
CAD REVIEW		
DESIGN CHECK		
DESIGN REVIEW		
APPROVED	NOT APPROVED	
PROF REGISTRATION:		



QUEENSTOWN LAKES DISTRICT COUNCIL
MODE SHIFT PT MINOR IMPROVEMENTS TRANCHE 2
MILLBROOK ARROWTOWN-LAKE HAYES RD
SERVICES PLAN

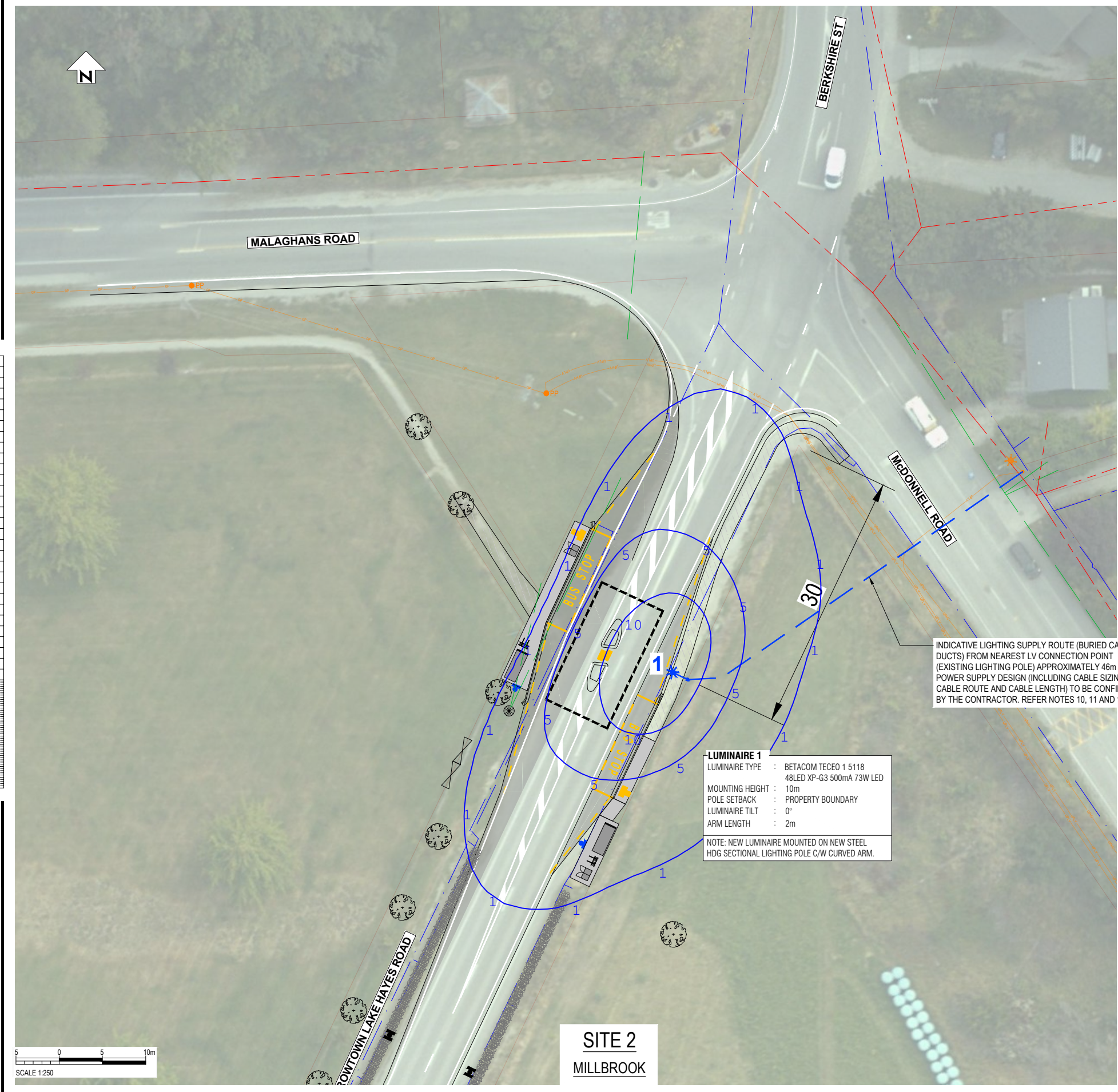
Status Stamp	FOR REVIEW
Date Stamp	10.06.21
Scales	1 : 250
Drawing No.	310204458-T2-002-C012
Rev.	D

DO NOT SCALE - IF IN DOUBT, ASK

200 mm
150
100
90
80
70
60
50
40
30
20
10
0

ORIGINAL SIZE A1

Last modified: Jan 15 2021 By Philip Cook



LUMINAIRE 1
 LUMINAIRE TYPE : BETACOM TECED 1 5118
 48LED XP-G3 500mA 73W LED
 MOUNTING HEIGHT : 10m
 POLE SETBACK : PROPERTY BOUNDARY
 LUMINAIRE TILT : 0°
 ARM LENGTH : 2m
 NOTE: NEW LUMINAIRE MOUNTED ON NEW STEEL HDG SECTIONAL LIGHTING POLE C/W CURVED ARM.

INDICATIVE LIGHTING SUPPLY ROUTE (BURIED CABLE IN DUCTS) FROM NEAREST LV CONNECTION POINT (EXISTING LIGHTING POLE) APPROXIMATELY 46m AWAY. POWER SUPPLY DESIGN (INCLUDING CABLE SIZING, CABLE ROUTE AND CABLE LENGTH) TO BE CONFIRMED BY THE CONTRACTOR. REFER NOTES 10, 11 AND 12.

NOTES

1. THE NEW LIGHTING POLE SHALL BE A SPUNLITE (OR EQUAL) OCTAGONAL STEEL FRANGIBLE GROUND PLANTED LIGHTING POLE C/W CURVED OUTREACH ARMS COMPLYING WITH NZTA M26.
2. THE NEW LIGHTING POLE SHALL BE SET-BACK AGAINST THE PROPERTY BOUNDARY WITHIN THE ROAD RESERVE WHERE SHOWN.
3. IN ACCORDANCE WITH QLDC REQUIREMENTS AND AS/NZS 1158.1.1 SECTION 3.4.3.6 THE PEDESTRIAN REFUGE ISLAND HAS BEEN PROVIDED WITH SUBCATEGORY V4 LIGHTING. REFER CALCULATION SUMMARY TABLE.
4. THE NEW LUMINAIRE SHALL BE AS SPECIFIED AND SHALL BE ON THE NZTA M30 APPROVED LIST OF ACCEPTABLE LUMINAIRES.
5. THE NEW LUMINAIRE SHALL BE SUPPLIED WITH A DALI DIMMABLE DRIVER, 7-PIN NEMA SOCKET AND ZODIAN S56 PHOTOCELL (VARIANT).
6. WHEN INSTALLED THE NEW LUMINAIRE SHALL HAVE THE MOUNTING HEIGHT, OUTREACH ARM LENGTH AND TILT ANGLES AS SPECIFIED IN THE LUMINAIRE DESCRIPTION BOX.
7. WHEN THE NEW LIGHTING POLE IS SET IN PLACE IT SHALL BE VERTICAL TO WITHIN 2°. WHEN THE LUMINAIRE IS FITTED IT SHALL HAVE THE REQUIRED TILT TO WITHIN 2° AND THE AXIS OF THE LUMINAIRE BEAM SHALL BE IN A VERTICAL PLANE TO WITHIN 2°.
8. THE CONTRACTOR SHALL LIAISE WITH THE LOCAL ELECTRICITY NETWORK COMPANY PRIOR TO INSTALLING ANY NEW POLES UNDER OR ADJACENT TO EXISTING OVERHEAD POWER LINES AND SHALL MAINTAIN ADEQUATE SAFE CLEARANCES DURING CONSTRUCTION AND WHEN INSTALLED (IN ACCORDANCE WITH THE NETWORK COMPANY'S PROCEDURES AND NZECP 34). WHERE REQUIRED BY THE LOCAL ELECTRICITY NETWORK COMPANY A "CLOSE APPROACH CONSENT" SHALL BE OBTAINED.
9. ALL MATERIALS (INCLUDING LUMINAIRE, POLE AND MOUNTING HARDWARE) SHALL COMPLY WITH THE DURABILITY REQUIREMENTS OF NZTA M26 AND M30.
10. THIS DRAWING ONLY DEPICTS THE LUMINAIRE, POLE LOCATION AND MOUNTING REQUIREMENTS ASSOCIATED WITH THE PEDESTRIAN REFUGE ISLAND LIGHTING. ALL WORK ASSOCIATED WITH ESTABLISHING AND/OR MODIFYING THE STREET LIGHTING NETWORK (SLN) IS OUTSIDE THE SCOPE OF THIS DESIGN.
11. THE CONTRACTOR SHALL BE RESPONSIBLE FOR ANY SLN DESIGN AND INSTALLATION (REQUIRED TO ESTABLISH AND/OR EXTEND THE SLN) AND SHALL PAY ANY ASSOCIATED LOCAL ELECTRICITY NETWORK FEES. THE CONTRACTOR SHALL COMPLY WITH THE ELECTRICITY (SAFETY) REGULATIONS, AS/NZS 3000 (NZ WIRING RULES) AND ANY SPECIFIC LOCAL ELECTRICITY NETWORK RULES AND PROCEDURES.
12. ANY WORK ASSOCIATED WITH ESTABLISHING NEW POWER SUPPLIES TO THE NEW LIGHTING POLES AND/OR MODIFYING OR EXTENDING THE SLN SHALL BE CARRIED OUT BY A CONTRACTOR APPROVED BY THE LOCAL ELECTRICITY NETWORK COMPANY.
13. EACH NEW LIGHTING POLE IS A SEPARATE ELECTRICAL INSTALLATION AND SHALL BE EARTHED USING A DRIVEN EARTH ROD AND M.E.N. LINK IN ACCORDANCE WITH THE ELECTRICITY ACT 1992, THE ELECTRICITY (SAFETY) REGULATIONS AND AS/NZS 3000 (NZ WIRING RULES).

CALCULATION RESULTS SUMMARY TABLE

Calculation Summary					
Label	CalcType	Units	Min	Max/Min	Description
Pedestrian Refuge Island	Illuminance	Lux	5.4	2.80	Cat V4 - 5 Lux (Min) and Uniformity (Max/Min) of 8 (Max)

LEGEND

- NEW LUMINAIRE AND NEW LIGHTING POLE
- EXISTING POWER POLE
- APPLICABLE LIGHTING DESIGN AREA
- INDICATIVE LIGHTING POWER SUPPLY BURIED CABLE ROUTE
- PROPOSED LIGHTING ISOLUX CONTOUR LINES

NOT FOR CONSTRUCTION

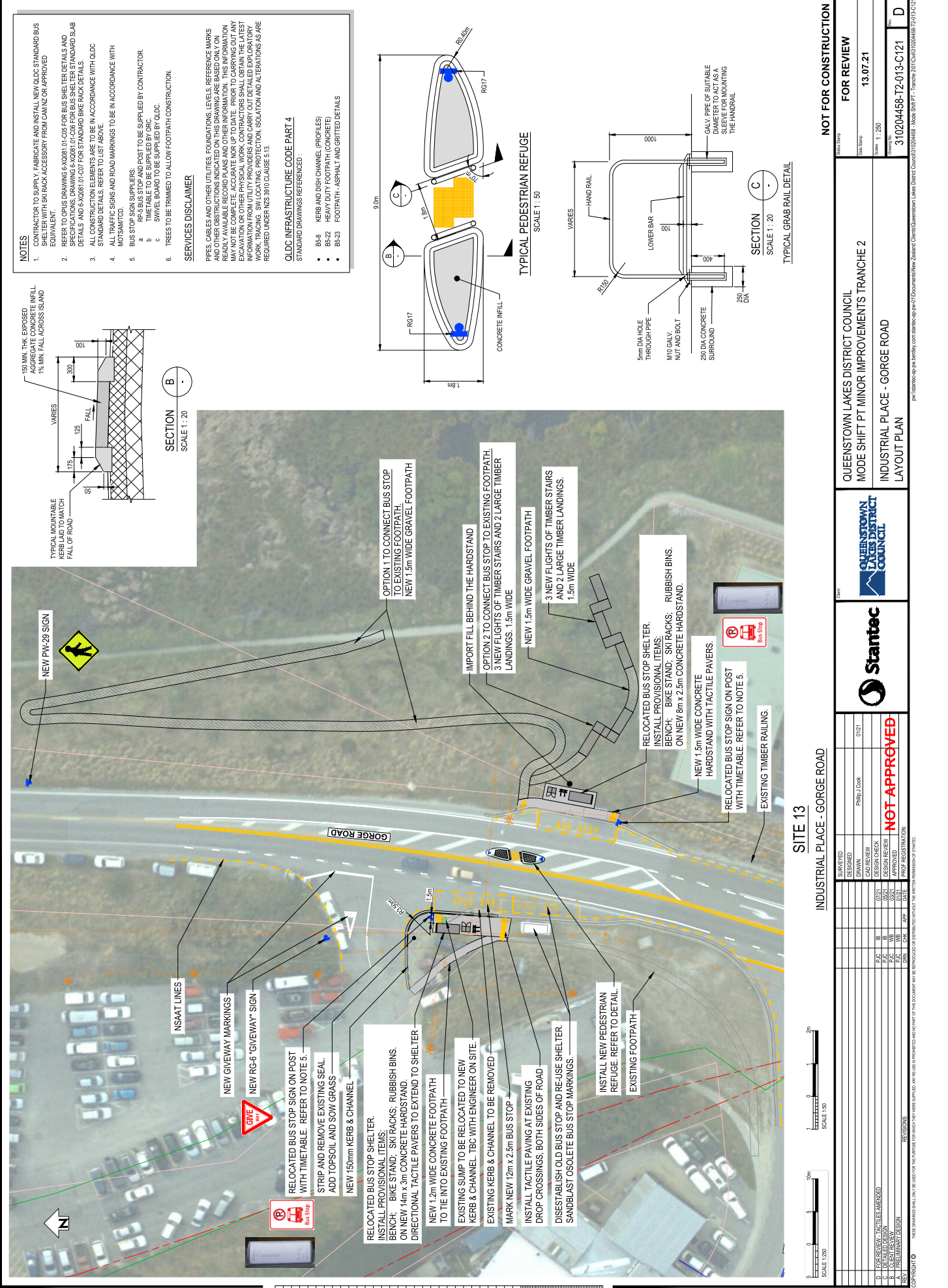
REV	REVISIONS	DRN	CHK	APP	DATE

SURVEYED		
DESIGNED	Ian Campbell	11/06/2021
DRAWN	Ian Campbell	11/06/2021
CAD REVIEW		
DESIGN CHECK		
DESIGN REVIEW		
APPROVED	NOT APPROVED	
PROF REGISTRATION:		



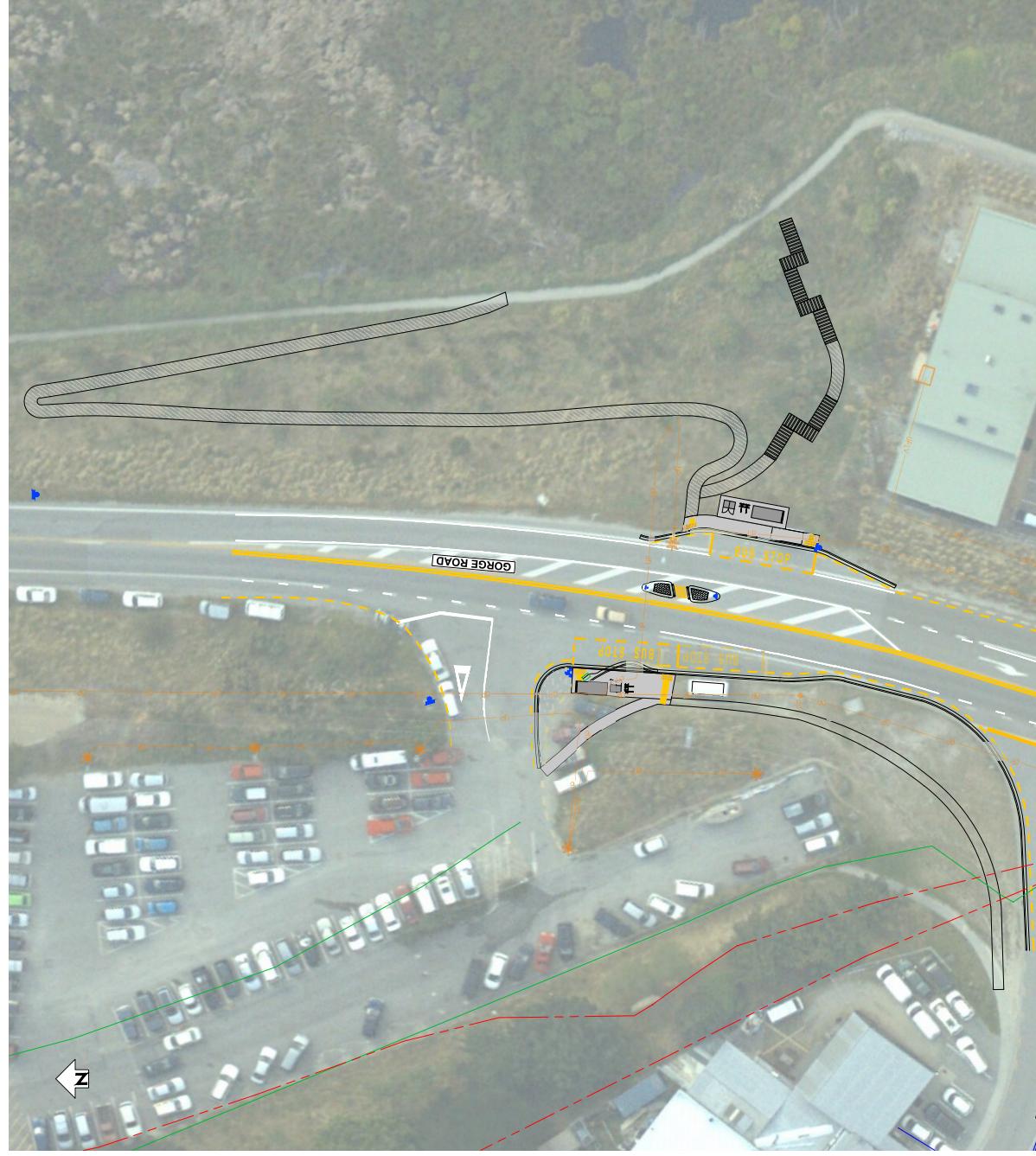
QUEENSTOWN LAKES DISTRICT COUNCIL
 MODE SHIFT PT MINOR IMPROVEMENTS TRANCHE 2
 MILLBROOK ARROWTOWN-LAKE HAYES RD
 LIGHTING DESIGN

Status Stamp	WORKING PLOT
Date Stamp	10.06.21
Scales	1 : 250
Drawing No.	310204458-T2-002-C013
Rev.	A



SURVEYED		DRAWN		CHECKED		APPROVED	
DATE	01/21	NAME	Philip Cook	DATE	01/21	NAME	Philip Cook
SCALE	1:250	SCALE	1:250	SCALE	1:250	SCALE	1:250
PROJECT	MODE SHIFT PT MINOR IMPROVEMENTS TRANCHE 2	PROJECT	MODE SHIFT PT MINOR IMPROVEMENTS TRANCHE 2	PROJECT	MODE SHIFT PT MINOR IMPROVEMENTS TRANCHE 2	PROJECT	MODE SHIFT PT MINOR IMPROVEMENTS TRANCHE 2
CLIENT	QUEENSTOWN LAKES DISTRICT COUNCIL	CLIENT	QUEENSTOWN LAKES DISTRICT COUNCIL	CLIENT	QUEENSTOWN LAKES DISTRICT COUNCIL	CLIENT	QUEENSTOWN LAKES DISTRICT COUNCIL
DATE	13.07.21	DATE	13.07.21	DATE	13.07.21	DATE	13.07.21
PROJECT NO.	3102004458-T2-013-C121	PROJECT NO.	3102004458-T2-013-C121	PROJECT NO.	3102004458-T2-013-C121	PROJECT NO.	3102004458-T2-013-C121
SCALE	1:250	SCALE	1:250	SCALE	1:250	SCALE	1:250
DATE	13.07.21	DATE	13.07.21	DATE	13.07.21	DATE	13.07.21
PROJECT	MODE SHIFT PT MINOR IMPROVEMENTS TRANCHE 2	PROJECT	MODE SHIFT PT MINOR IMPROVEMENTS TRANCHE 2	PROJECT	MODE SHIFT PT MINOR IMPROVEMENTS TRANCHE 2	PROJECT	MODE SHIFT PT MINOR IMPROVEMENTS TRANCHE 2
CLIENT	QUEENSTOWN LAKES DISTRICT COUNCIL	CLIENT	QUEENSTOWN LAKES DISTRICT COUNCIL	CLIENT	QUEENSTOWN LAKES DISTRICT COUNCIL	CLIENT	QUEENSTOWN LAKES DISTRICT COUNCIL
DATE	13.07.21	DATE	13.07.21	DATE	13.07.21	DATE	13.07.21
PROJECT NO.	3102004458-T2-013-C121	PROJECT NO.	3102004458-T2-013-C121	PROJECT NO.	3102004458-T2-013-C121	PROJECT NO.	3102004458-T2-013-C121
SCALE	1:250	SCALE	1:250	SCALE	1:250	SCALE	1:250
DATE	13.07.21	DATE	13.07.21	DATE	13.07.21	DATE	13.07.21
PROJECT	MODE SHIFT PT MINOR IMPROVEMENTS TRANCHE 2	PROJECT	MODE SHIFT PT MINOR IMPROVEMENTS TRANCHE 2	PROJECT	MODE SHIFT PT MINOR IMPROVEMENTS TRANCHE 2	PROJECT	MODE SHIFT PT MINOR IMPROVEMENTS TRANCHE 2
CLIENT	QUEENSTOWN LAKES DISTRICT COUNCIL	CLIENT	QUEENSTOWN LAKES DISTRICT COUNCIL	CLIENT	QUEENSTOWN LAKES DISTRICT COUNCIL	CLIENT	QUEENSTOWN LAKES DISTRICT COUNCIL

A.2 Gorge Road

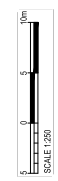


LEGEND

—	STORMWATER
- - -	SANITARY SEWER
—	WATER
—	FIRE HYDRANT
—	COMMUNICATION
—	POWER - HV
—	POWER - LV
—	POWER - LV
—	POWERPOLE
—	STREET LIGHT
—	TRANSFORMER / SWITCH
—	POWER PILLAR

WARNING
 THE LOCATIONS OF UNDERGROUND SERVICES SHOWN ON THIS PLAN ARE BASED ON THE INFORMATION PROVIDED TO US. WE MAKE NO GUARANTEE OR WARRANTY THAT ALL EXISTING SERVICES ARE SHOWN OR THAT THE INFORMATION IS COMPLETELY ACCURATE.

DIAL BEFORE YOU DIG



SITE 13 INDUSTRIAL PLACE - GORGE ROAD

NO.	REVISIONS	DATE	BY	CHK	APP	PROF. REGISTRATION
1	ISSUED FOR TENDER	07/21	PHILIP J. COOK			0121
2	FOR REVIEW	13/07/21				
3	FOR REVIEW	13/07/21				
4	FOR REVIEW	13/07/21				
5	FOR REVIEW	13/07/21				
6	FOR REVIEW	13/07/21				
7	FOR REVIEW	13/07/21				
8	FOR REVIEW	13/07/21				
9	FOR REVIEW	13/07/21				
10	FOR REVIEW	13/07/21				
11	FOR REVIEW	13/07/21				
12	FOR REVIEW	13/07/21				
13	FOR REVIEW	13/07/21				
14	FOR REVIEW	13/07/21				
15	FOR REVIEW	13/07/21				
16	FOR REVIEW	13/07/21				
17	FOR REVIEW	13/07/21				
18	FOR REVIEW	13/07/21				
19	FOR REVIEW	13/07/21				
20	FOR REVIEW	13/07/21				
21	FOR REVIEW	13/07/21				
22	FOR REVIEW	13/07/21				
23	FOR REVIEW	13/07/21				
24	FOR REVIEW	13/07/21				
25	FOR REVIEW	13/07/21				
26	FOR REVIEW	13/07/21				
27	FOR REVIEW	13/07/21				
28	FOR REVIEW	13/07/21				
29	FOR REVIEW	13/07/21				
30	FOR REVIEW	13/07/21				
31	FOR REVIEW	13/07/21				
32	FOR REVIEW	13/07/21				
33	FOR REVIEW	13/07/21				
34	FOR REVIEW	13/07/21				
35	FOR REVIEW	13/07/21				
36	FOR REVIEW	13/07/21				
37	FOR REVIEW	13/07/21				
38	FOR REVIEW	13/07/21				
39	FOR REVIEW	13/07/21				
40	FOR REVIEW	13/07/21				
41	FOR REVIEW	13/07/21				
42	FOR REVIEW	13/07/21				
43	FOR REVIEW	13/07/21				
44	FOR REVIEW	13/07/21				
45	FOR REVIEW	13/07/21				
46	FOR REVIEW	13/07/21				
47	FOR REVIEW	13/07/21				
48	FOR REVIEW	13/07/21				
49	FOR REVIEW	13/07/21				
50	FOR REVIEW	13/07/21				
51	FOR REVIEW	13/07/21				
52	FOR REVIEW	13/07/21				
53	FOR REVIEW	13/07/21				
54	FOR REVIEW	13/07/21				
55	FOR REVIEW	13/07/21				
56	FOR REVIEW	13/07/21				
57	FOR REVIEW	13/07/21				
58	FOR REVIEW	13/07/21				
59	FOR REVIEW	13/07/21				
60	FOR REVIEW	13/07/21				
61	FOR REVIEW	13/07/21				
62	FOR REVIEW	13/07/21				
63	FOR REVIEW	13/07/21				
64	FOR REVIEW	13/07/21				
65	FOR REVIEW	13/07/21				
66	FOR REVIEW	13/07/21				
67	FOR REVIEW	13/07/21				
68	FOR REVIEW	13/07/21				
69	FOR REVIEW	13/07/21				
70	FOR REVIEW	13/07/21				
71	FOR REVIEW	13/07/21				
72	FOR REVIEW	13/07/21				
73	FOR REVIEW	13/07/21				
74	FOR REVIEW	13/07/21				
75	FOR REVIEW	13/07/21				
76	FOR REVIEW	13/07/21				
77	FOR REVIEW	13/07/21				
78	FOR REVIEW	13/07/21				
79	FOR REVIEW	13/07/21				
80	FOR REVIEW	13/07/21				
81	FOR REVIEW	13/07/21				
82	FOR REVIEW	13/07/21				
83	FOR REVIEW	13/07/21				
84	FOR REVIEW	13/07/21				
85	FOR REVIEW	13/07/21				
86	FOR REVIEW	13/07/21				
87	FOR REVIEW	13/07/21				
88	FOR REVIEW	13/07/21				
89	FOR REVIEW	13/07/21				
90	FOR REVIEW	13/07/21				
91	FOR REVIEW	13/07/21				
92	FOR REVIEW	13/07/21				
93	FOR REVIEW	13/07/21				
94	FOR REVIEW	13/07/21				
95	FOR REVIEW	13/07/21				
96	FOR REVIEW	13/07/21				
97	FOR REVIEW	13/07/21				
98	FOR REVIEW	13/07/21				
99	FOR REVIEW	13/07/21				
100	FOR REVIEW	13/07/21				



NOT APPROVED

QUEENSTOWN LAKES DISTRICT COUNCIL
 MODE SHIFT PT MINOR IMPROVEMENTS TRANCHE 2
 INDUSTRIAL PLACE - GORGE ROAD
 SERVICES PLAN

DATE	13.07.21
FOR REVIEW	
NOT FOR CONSTRUCTION	
PROJECT NO.	310204458-T2-013-C122
DATE	13.07.21
REVISION	D

DO NOT SCALE - IF IN DOUBT, ASK

200mm

150

100

80

70

60

50

40

30

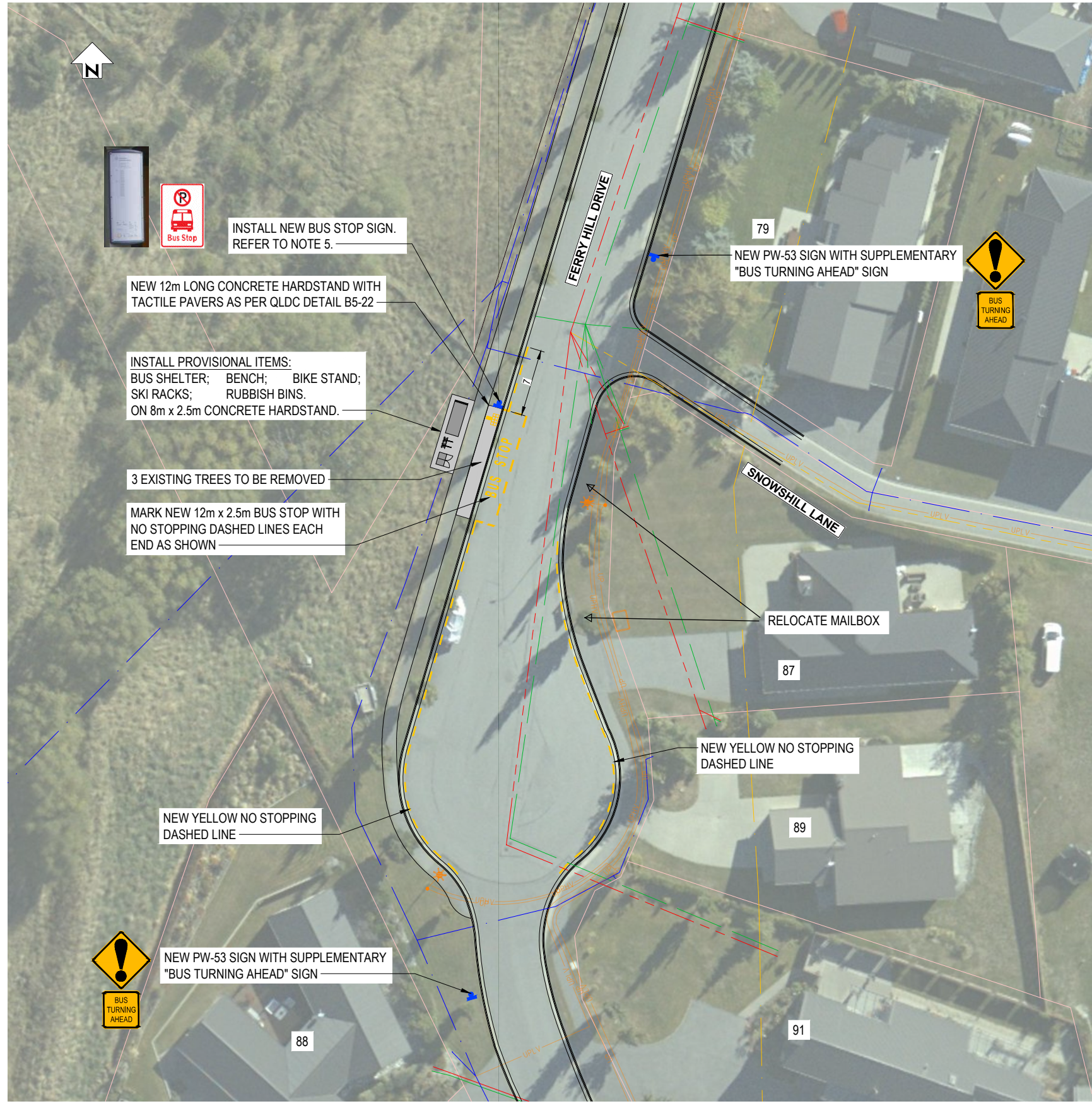
20

10

0

ORIGINAL SIZE A1

Last modified: Jan 22 2021 By Phillip Cook



SITE 7
FERRY HILL DRIVE - OPTION 2 TURNAROUND



- NOTES**
- CONTRACTOR TO SUPPLY, FABRICATE AND INSTALL NEW QLDC STANDARD BUS SHELTER WITH SKI RACK ACCESSORY FROM CAM NZ OR APPROVED EQUIVALENT.
 - REFER TO OPUS DRAWING 6-XQ081.01-C05 FOR BUS SHELTER DETAILS AND SPECIFICATIONS, DRAWING 6-XQ081.01-C06 FOR BUS SHELTER STANDARD SLAB DETAILS AND 6-XQ081.01-C07 FOR STANDARD BIKE RACK DETAILS.
 - ALL CONSTRUCTION ELEMENTS ARE TO BE IN ACCORDANCE WITH QLDC STANDARD DETAILS, REFER TO LIST ABOVE.
 - ALL TRAFFIC SIGNS AND ROAD MARKINGS TO BE IN ACCORDANCE WITH MOTSAM/TCO.
 - BUS STOP SIGN SUPPLIERS:
 - RP-5 BUS STOP AND POST TO BE SUPPLIED BY CONTRACTOR.
 - TIMETABLE TO BE SUPPLIED BY ORC.
 - SWIVEL BOARD TO BE SUPPLIED BY QLDC.
 - TREES TO BE TRIMMED TO ALLOW FOOTPATH CONSTRUCTION.
- SERVICES DISCLAIMER**
- PIPES, CABLES AND OTHER UTILITIES, FOUNDATIONS, LEVELS, REFERENCE MARKS AND OTHER OBSTRUCTIONS INDICATED ON THIS DRAWING ARE BASED ONLY ON READILY AVAILABLE RECORD PLANS AND OTHER INFORMATION. THIS INFORMATION MAY NOT BE COMPLETE, ACCURATE NOR UP TO DATE. PRIOR TO CARRYING OUT ANY EXCAVATION OR OTHER PHYSICAL WORK, CONTRACTORS SHALL OBTAIN THE LATEST INFORMATION FROM UTILITY PROVIDERS AND CARRY OUT DETAILED EXPLORATORY WORK, TRACING, SW LOCATING, PROTECTION, ISOLATION AND ALTERATIONS AS ARE REQUIRED UNDER NZS 3910 CLAUSE 5.13.
- QLDC INFRASTRUCTURE CODE PART 4**
 STANDARD DRAWINGS REFERENCED :
- B5-8 KERB AND DISH CHANNEL (PROFILES)
 - B5-22 HEAVY DUTY FOOTPATH (CONCRETE)
 - B5-23 FOOTPATH - ASPHALT AND GRITTED DETAILS

NOT FOR CONSTRUCTION

REV	DESCRIPTION	DATE	BY	CHK	APP
C	DETAILED DESIGN	05/21	PJC	IB	
B	CLIENT REVIEW	03/21	PJC	WB	
A	PRELIMINARY DESIGN	01/21	PJC	WB	
	REVISIONS		DRN	CHK	APP

SURVEYED		
DESIGNED		
DRAWN	Phillip J Cook	01/21
CAD REVIEW		
DESIGN CHECK		
DESIGN REVIEW		
APPROVED	NOT APPROVED	
PROF REGISTRATION:		



QUEENSTOWN LAKES DISTRICT COUNCIL
 MODE SHIFT PT MINOR IMPROVEMENTS TRANCHE 2

QUAIL RISE - FERRY HILL DRIVE
 LAYOUT PLAN

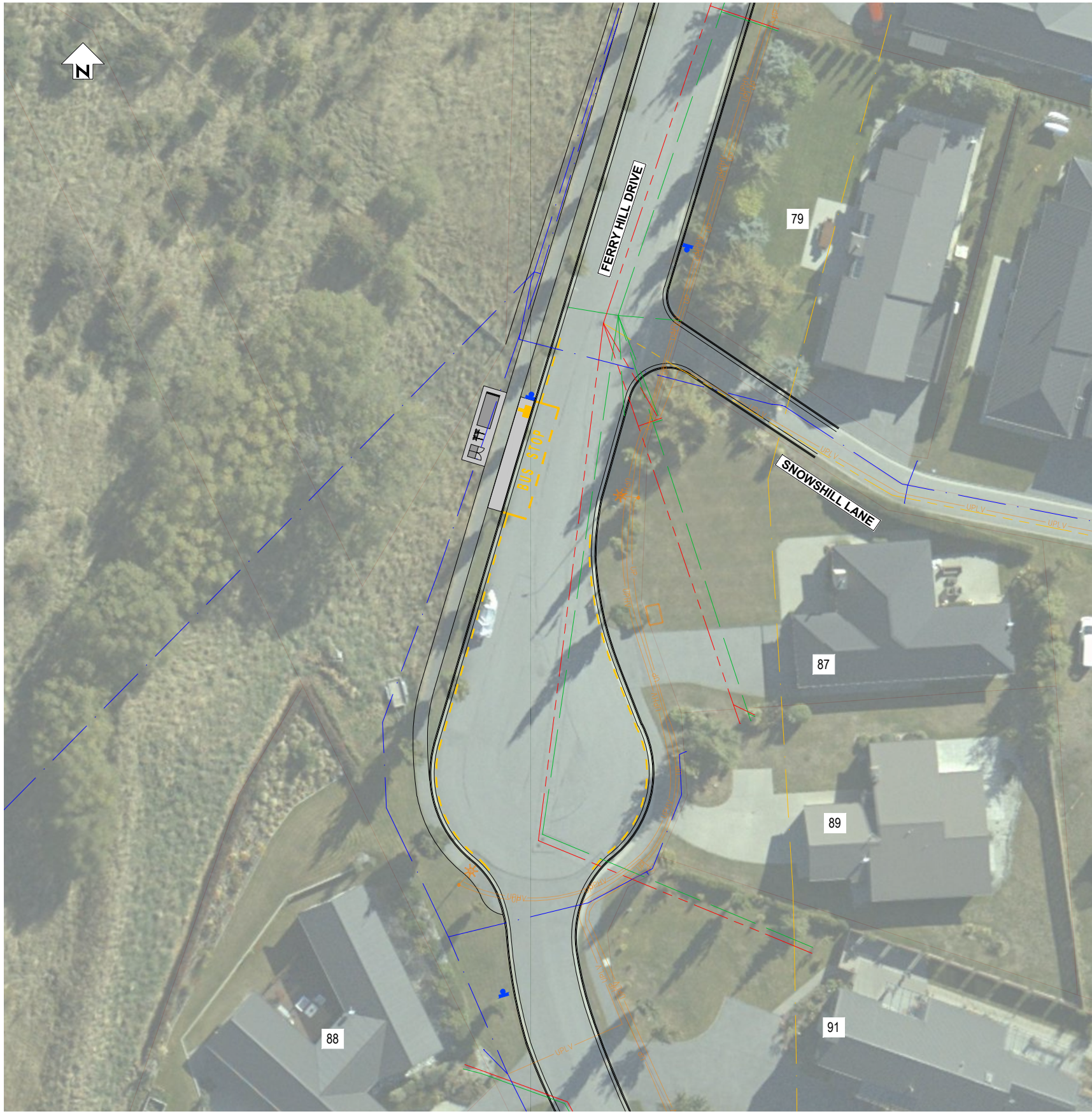
Status Stamp	FOR REVIEW
Date Stamp	04.05.21
Scales	1 : 250
Drawing No.	310204458-T2-007-C061
Rev.	C

DO NOT SCALE - IF IN DOUBT, ASK

200 mm
150
100
90
80
70
60
50
40
30
20
10
0

ORIGINAL SIZE A1

Last modified: Jan 20 2021 By Phillip Cook



LEGEND	
	STORMWATER
	SANITARY SEWER
	WATER
	FIRE HYDRANT
	COMMUNICATION
	POWER - HV
	POWER - LV
	POWER - LV
	POWERPOLE
	STREET LIGHT
	TRANSFORMER / SWITCH
	POWER PILLAR

WARNING
BEWARE OF UNDERGROUND SERVICES
THE LOCATIONS OF UNDERGROUND SERVICES ARE APPROXIMATE ONLY AND THEIR EXACT POSITION SHOULD BE PROVEN ON SITE NO GUARANTEE IS GIVEN THAT ALL EXISTING SERVICES ARE SHOWN.

DIAL BEFORE YOU DIG

SITE 7

FERRY HILL DRIVE - OPTION 2 TURNAROUND



NOT FOR CONSTRUCTION

REV	DESCRIPTION	DATE	APP	CHK	DRN
C	DETAILED DESIGN	05/21	PJC	IB	
B	CLIENT REVIEW	03/21	PJC	WB	
A	PRELIMINARY DESIGN	01/21	PJC	WB	
	REVISIONS		DRN	CHK	APP

SURVEYED		
DESIGNED		
DRAWN	Phillip J Cook	01/21
CAD REVIEW		
DESIGN CHECK		
DESIGN REVIEW		
APPROVED	NOT APPROVED	
PROF REGISTRATION:		



QUEENSTOWN LAKES DISTRICT COUNCIL
MODE SHIFT PT MINOR IMPROVEMENTS TRANCHE 2
QUAIL RISE - FERRY HILL DRIVE
SERVICES PLAN

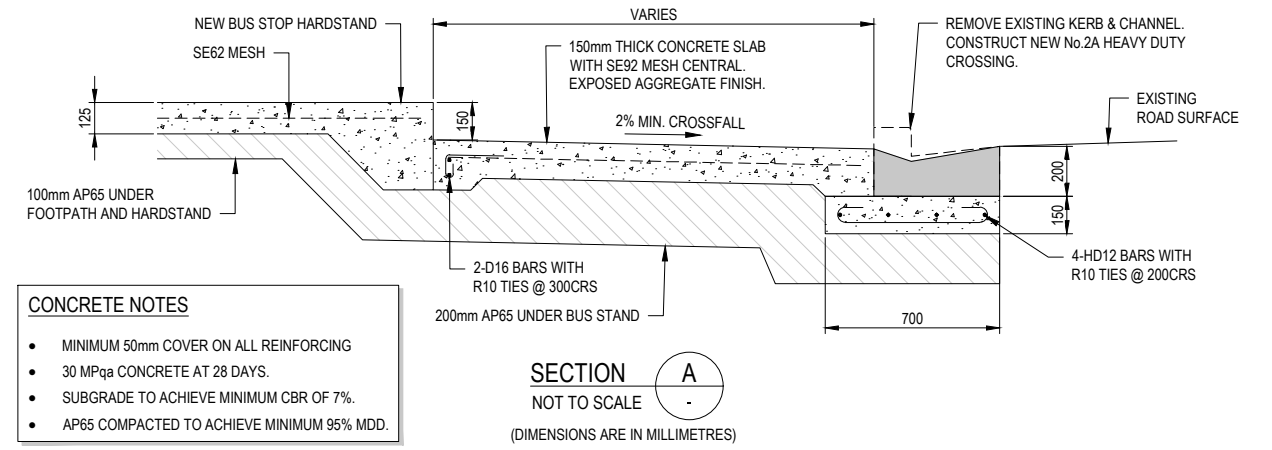
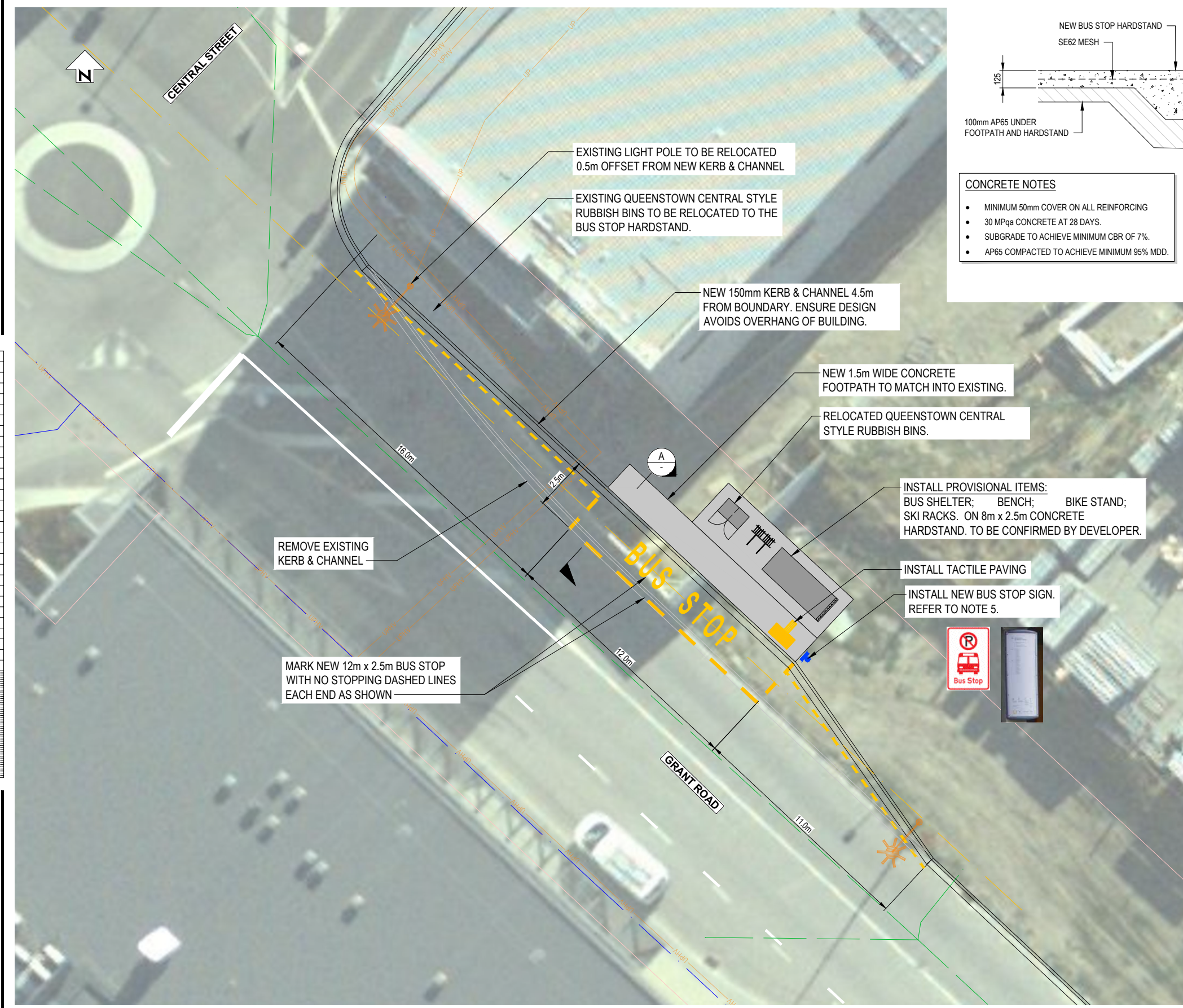
Status Stamp	FOR REVIEW
Date Stamp	04.05.21
Scales	1 : 250
Drawing No.	310204458-T2-007-C062
Rev.	C

DO NOT SCALE - IF IN DOUBT, ASK

200 mm
150
100
90
80
70
60
50
40
30
20
10
0

ORIGINAL SIZE A1

Last modified: Feb 2 2021 By Phillip Cook



- CONCRETE NOTES**
- MINIMUM 50mm COVER ON ALL REINFORCING
 - 30 MPqa CONCRETE AT 28 DAYS.
 - SUBGRADE TO ACHIEVE MINIMUM CBR OF 7%.
 - AP65 COMPACTED TO ACHIEVE MINIMUM 95% MDD.

- NOTES**
1. CONTRACTOR TO SUPPLY, FABRICATE AND INSTALL NEW QLDC STANDARD BUS SHELTER WITH SKI RACK ACCESSORY FROM CAM NZ OR APPROVED EQUIVALENT.
 2. REFER TO OPUS DRAWING 6-XQ081.01-C05 FOR BUS SHELTER DETAILS AND SPECIFICATIONS, DRAWING 6-XQ081.01-C06 FOR BUS SHELTER STANDARD SLAB DETAILS AND 6-XQ081.01-C07 FOR STANDARD BIKE RACK DETAILS.
 3. ALL CONSTRUCTION ELEMENTS ARE TO BE IN ACCORDANCE WITH QLDC STANDARD DETAILS, REFER TO LIST ABOVE.
 4. ALL TRAFFIC SIGNS AND ROAD MARKINGS TO BE IN ACCORDANCE WITH MOTSAM/TCO.
 5. BUS STOP SIGN SUPPLIERS:
 - a RP-5 BUS STOP AND POST TO BE SUPPLIED BY CONTRACTOR.
 - b TIMETABLE TO BE SUPPLIED BY ORC.
 - c SWIVEL BOARD TO BE SUPPLIED BY QLDC.
 6. TREES TO BE TRIMMED TO ALLOW FOOTPATH CONSTRUCTION.

SERVICES DISCLAIMER

PIPES, CABLES AND OTHER UTILITIES, FOUNDATIONS, LEVELS, REFERENCE MARKS AND OTHER OBSTRUCTIONS INDICATED ON THIS DRAWING ARE BASED ONLY ON READILY AVAILABLE RECORD PLANS AND OTHER INFORMATION. THIS INFORMATION MAY NOT BE COMPLETE, ACCURATE NOR UP TO DATE. PRIOR TO CARRYING OUT ANY EXCAVATION OR OTHER PHYSICAL WORK, CONTRACTORS SHALL OBTAIN THE LATEST INFORMATION FROM UTILITY PROVIDERS AND CARRY OUT DETAILED EXPLORATORY WORK, TRACING, SW LOCATING, PROTECTION, ISOLATION AND ALTERATIONS AS ARE REQUIRED UNDER NZS 3910 CLAUSE 5.13.

QLDC INFRASTRUCTURE CODE PART 4
STANDARD DRAWINGS REFERENCED :

- B5-8 KERB AND DISH CHANNEL (PROFILES)
- B5-22 HEAVY DUTY FOOTPATH (CONCRETE)
- B5-23 FOOTPATH - ASPHALT AND GRITTED DETAILS

SITE 6
GRANT ROAD



NOT FOR CONSTRUCTION

REV	DESCRIPTION	DATE	BY	CHK	APP
C	DETAILED DESIGN	05/21	PJC	IB	
B	CLIENT REVIEW	03/21	PJC	WB	
A	PRELIMINARY DESIGN	01/21	PJC	WB	
	REVISIONS		DRN	CHK	APP

SURVEYED		
DESIGNED		
DRAWN	Phillip J Cook	12/20
CAD REVIEW		
DESIGN CHECK		
DESIGN REVIEW		
APPROVED	NOT APPROVED	
PROF REGISTRATION:		



QUEENSTOWN LAKES DISTRICT COUNCIL
MODE SHIFT PT MINOR IMPROVEMENTS TRANCHE 2

GRANT ROAD
LAYOUT PLAN

Status Stamp	FOR REVIEW
Date Stamp	04.05.21
Scales	1 : 100
Drawing No.	310204458-T2-006-C051
Rev.	C

DO NOT SCALE - IF IN DOUBT, ASK

200 mm
150
100
90
80
70
60
50
40
30
20
10
0

ORIGINAL SIZE A1

Last modified: Jan 19 2021 By Phillip Cook



LEGEND	
	STORMWATER
	SANITARY SEWER
	WATER
	FIRE HYDRANT
	COMMUNICATION
	POWER - HV
	POWER - LV
	POWER - LV
	POWERPOLE
	STREET LIGHT
	TRANSFORMER / SWITCH
	POWER PILLAR

WARNING
BEWARE OF UNDERGROUND SERVICES
THE LOCATIONS OF UNDERGROUND SERVICES ARE APPROXIMATE ONLY AND THEIR EXACT POSITION SHOULD BE PROVEN ON SITE. NO GUARANTEE IS GIVEN THAT ALL EXISTING SERVICES ARE SHOWN.

DIAL BEFORE YOU DIG



SITE 6
GRANT ROAD

REV	DESCRIPTION	DESIGNED	CHECKED	DATE
C	DETAILED DESIGN	PJC	IB	05/21
B	CLIENT REVIEW	PJC	WB	03/21
A	PRELIMINARY DESIGN	PJC	WB	01/21
	REVISIONS	DRN	CHK	APP

SURVEYED		
DESIGNED		
DRAWN	Phillip J Cook	01/21
CAD REVIEW		
DESIGN CHECK		
DESIGN REVIEW		
APPROVED	NOT APPROVED	
PROF REGISTRATION:		



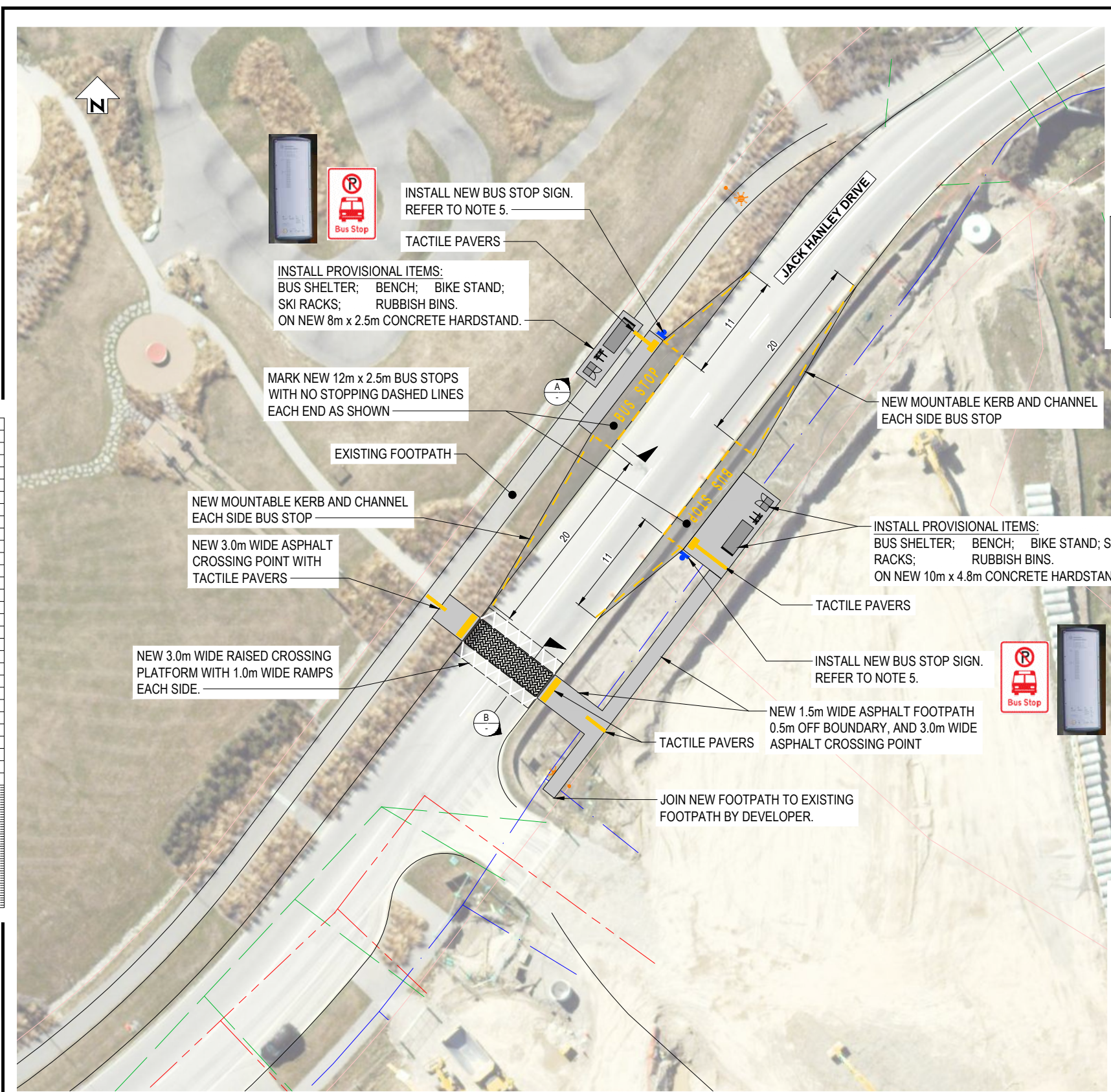
QUEENSTOWN LAKES DISTRICT COUNCIL
MODE SHIFT PT MINOR IMPROVEMENTS TRANCHE 2
GRANT ROAD
SERVICES PLAN

NOT FOR CONSTRUCTION	
Status Stamp	FOR REVIEW
Date Stamp	04.05.21
Scales	1 : 100
Drawing No.	310204458-T2-006-C052
Rev.	C

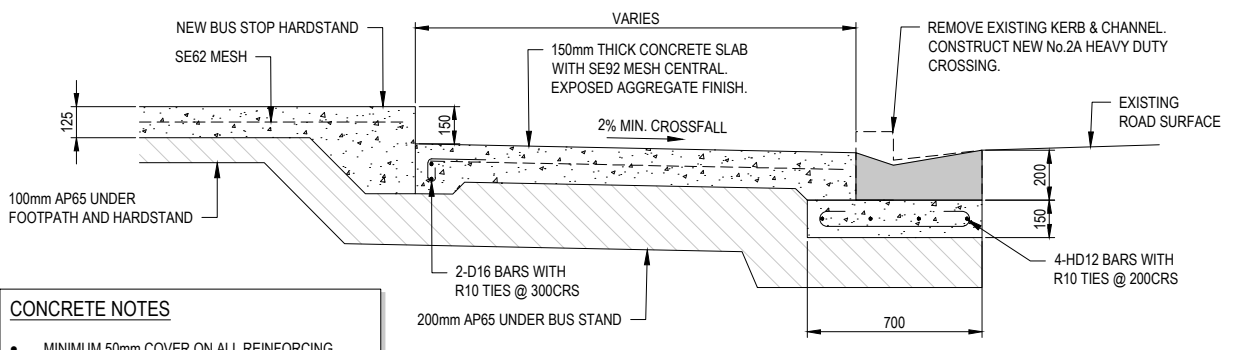
DO NOT SCALE - IF IN DOUBT, ASK

ORIGINAL SIZE A1

Last modified: Jan 19 2021 By Phillip Cook



SITE 8
HANLEY FARM - LOCATION A



CONCRETE NOTES

- MINIMUM 50mm COVER ON ALL REINFORCING
- 30 MPqa CONCRETE AT 28 DAYS.
- SUBGRADE TO ACHIEVE MINIMUM CBR OF 7%.
- AP65 COMPACTED TO ACHIEVE MINIMUM 95% MDD.

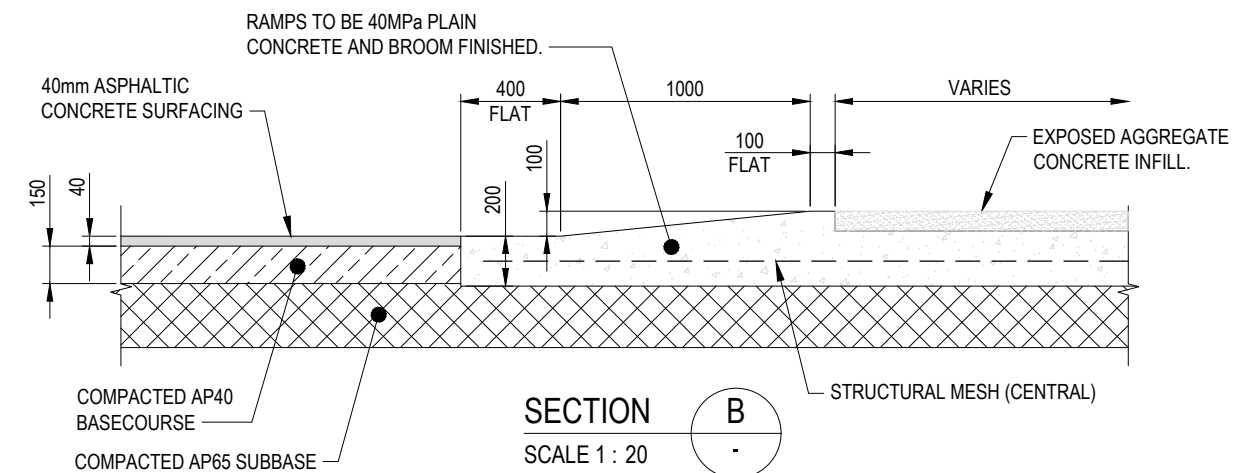
SECTION A
NOT TO SCALE
(DIMENSIONS ARE IN MILLIMETRES)

- NOTES**
1. CONTRACTOR TO SUPPLY, FABRICATE AND INSTALL NEW QLDC STANDARD BUS SHELTER WITH SKI RACK ACCESSORY FROM CAM NZ OR APPROVED EQUIVALENT.
 2. REFER TO OPUS DRAWING 6-XQ081.01-C05 FOR BUS SHELTER DETAILS AND SPECIFICATIONS, DRAWING 6-XQ081.01-C06 FOR BUS SHELTER STANDARD SLAB DETAILS AND 6-XQ081.01-C07 FOR STANDARD BIKE RACK DETAILS.
 3. ALL CONSTRUCTION ELEMENTS ARE TO BE IN ACCORDANCE WITH QLDC STANDARD DETAILS, REFER TO LIST ABOVE.
 4. ALL TRAFFIC SIGNS AND ROAD MARKINGS TO BE IN ACCORDANCE WITH MOTSAM/TCO.
 5. BUS STOP SIGN SUPPLIERS:
 - a RP-5 BUS STOP AND POST TO BE SUPPLIED BY CONTRACTOR.
 - b TIMETABLE TO BE SUPPLIED BY ORC.
 - c SWIVEL BOARD TO BE SUPPLIED BY QLDC.
 6. TREES TO BE TRIMMED TO ALLOW FOOTPATH CONSTRUCTION.

SERVICES DISCLAIMER

PIPES, CABLES AND OTHER UTILITIES, FOUNDATIONS, LEVELS, REFERENCE MARKS AND OTHER OBSTRUCTIONS INDICATED ON THIS DRAWING ARE BASED ONLY ON READILY AVAILABLE RECORD PLANS AND OTHER INFORMATION. THIS INFORMATION MAY NOT BE COMPLETE, ACCURATE NOR UP TO DATE. PRIOR TO CARRYING OUT ANY EXCAVATION OR OTHER PHYSICAL WORK, CONTRACTORS SHALL OBTAIN THE LATEST INFORMATION FROM UTILITY PROVIDERS AND CARRY OUT DETAILED EXPLORATORY WORK, TRACING, SW LOCATING, PROTECTION, ISOLATION AND ALTERATIONS AS ARE REQUIRED UNDER NZS 3910 CLAUSE 5.13.

- QLDC INFRASTRUCTURE CODE PART 4**
STANDARD DRAWINGS REFERENCED :
- B5-8 KERB AND DISH CHANNEL (PROFILES)
 - B5-22 HEAVY DUTY FOOTPATH (CONCRETE)
 - B5-23 FOOTPATH - ASPHALT AND GRITTED DETAILS



SECTION B
SCALE 1 : 20
TYPICAL PEDESTRIAN RAISED PLATFORM DETAIL

NOT FOR CONSTRUCTION



REV	DESCRIPTION	DATE	BY	CHK	APP
D	DETAILED DESIGN - RAISED PEDESTRIAN PLATFORM ADDED	06/21	PJC	IB	
C	DETAILED DESIGN	05/21	PJC	IB	
B	CLIENT REVIEW	03/21	PJC	WB	
A	PRELIMINARY DESIGN	01/21	PJC	WB	
	REVISIONS		DRN	CHK	APP

SURVEYED		
DESIGNED		
DRAWN	Phillip J Cook	12/20
CAD REVIEW		
DESIGN CHECK		
DESIGN REVIEW		
APPROVED	NOT APPROVED	
PROF REGISTRATION:		

Client

QUEENSTOWN LAKES DISTRICT COUNCIL
MODE SHIFT PT MINOR IMPROVEMENTS TRANCHE 2

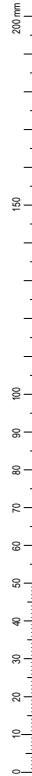
SOUTHERN CORRIDOR - HANLEY FARM
LOCATION A - SITE LAYOUT PLAN

Status Stamp	FOR REVIEW
Date Stamp	28.06.21
Scales	1 : 250
Drawing No.	310204458-T2-008-C071
Rev.	D

ORIGINAL SIZE A1

Last modified: Jan 19 2021 By Phillip Cook

DONOT SCALE-IF IN DOUBT, ASK



LEGEND	
	STORMWATER
	SANITARY SEWER
	WATER
	FIRE HYDRANT
	COMMUNICATION
	POWER - HV
	POWER - LV
	POWER - LV
	POWERPOLE
	STREET LIGHT
	TRANSFORMER / SWITCH
	POWER PILLAR

WARNING
BEWARE OF UNDERGROUND SERVICES
THE LOCATIONS OF UNDERGROUND SERVICES ARE APPROXIMATE ONLY AND THEIR EXACT POSITION SHOULD BE PROVEN ON SITE NO GUARANTEE IS GIVEN THAT ALL EXISTING SERVICES ARE SHOWN.

DIAL BEFORE YOU DIG

SITE 8
HANLEY FARM - LOCATION A



NOT FOR CONSTRUCTION

REV	DESCRIPTION	DESIGNED	CHECKED	DATE
D	DETAILED DESIGN - RAISED PEDESTRIAN PLATFORM ADDED	PJC	IB	06/21
C	DETAILED DESIGN	PJC	IB	05/21
B	CLIENT REVIEW	PJC	WB	03/21
A	PRELIMINARY DESIGN	PJC	WB	01/21
REV	REVISIONS	DRN	CHK	APP

SURVEYED		
DESIGNED		
DRAWN	Phillip J Cook	01/21
CAD REVIEW		
DESIGN CHECK		
DESIGN REVIEW		
APPROVED	NOT APPROVED	
PROF REGISTRATION:		



QUEENSTOWN LAKES DISTRICT COUNCIL
MODE SHIFT PT MINOR IMPROVEMENTS TRANCHE 2
SOUTHERN CORRIDOR - HANLEY FARM
LOCATION A - SERVICES PLAN

Status Stamp	FOR REVIEW
Date Stamp	28.06.21
Scales	1 : 250
Drawing No.	310204458-T2-008-C072
Rev.	D

DO NOT SCALE - IF IN DOUBT, ASK

200 mm
150
100
90
80
70
60
50
40
30
20
10
0

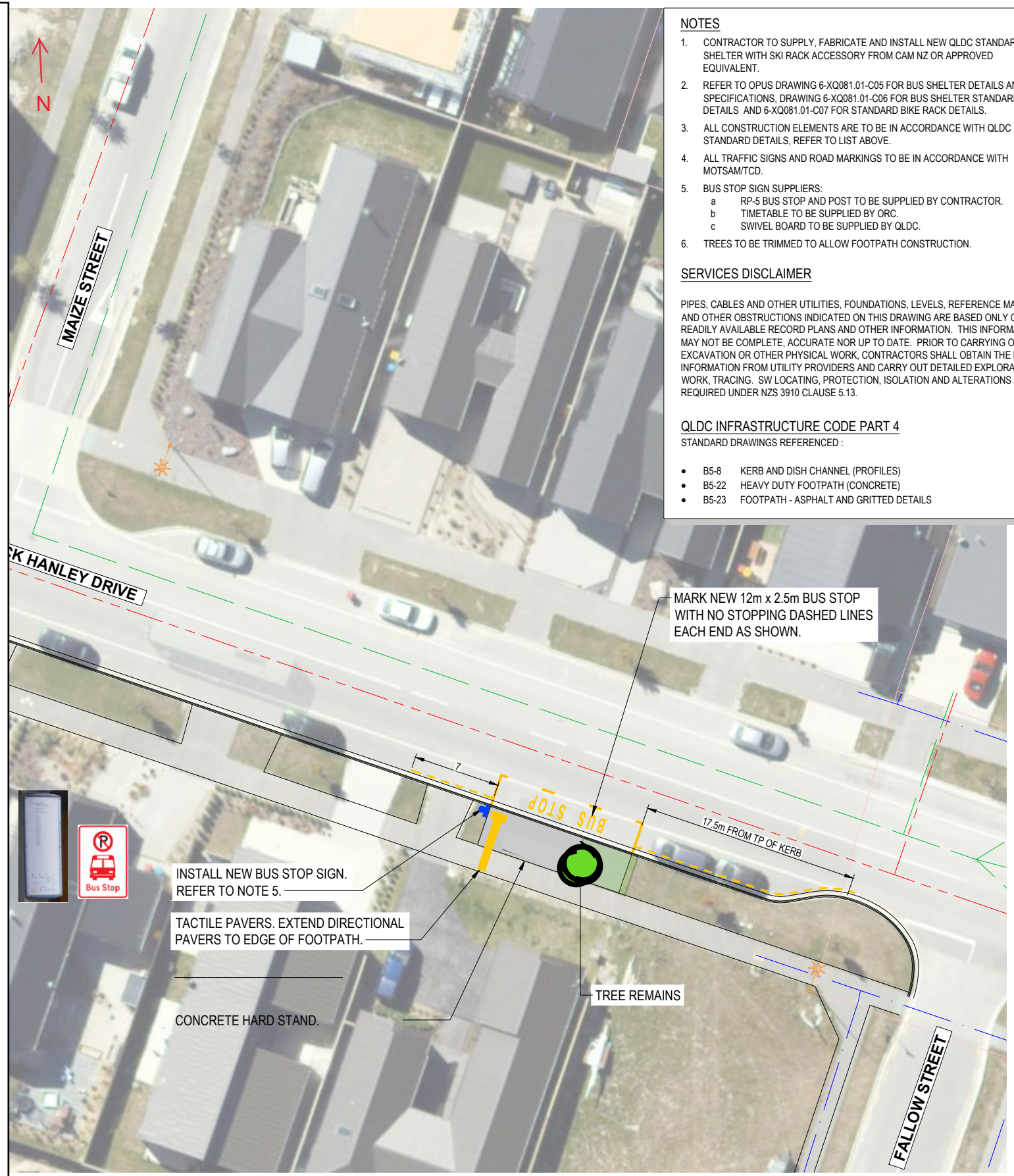
ORIGINAL SIZE **A1**

Last modified: Jan 20 2021 By Phillip Cook



REV	DESCRIPTION	DESIGNED	CHECKED	DATE
D	FOR REVIEW - TACTILES AMENDED	PJC	IB	06/21
C	DETAILED DESIGN	PJC	IB	05/21
B	CLIENT REVIEW	PJC	WB	03/21
A	PRELIMINARY DESIGN	PJC	WB	01/21
	REVISIONS	DRN	CHK	APP

SURVEYED		
DESIGNED		
DRAWN	Phillip J Cook	01/21
CAD REVIEW		
DESIGN CHECK		
DESIGN REVIEW		
APPROVED	NOT APPROVED	
PROF REGISTRATION:		



NOTES

- CONTRACTOR TO SUPPLY, FABRICATE AND INSTALL NEW QLDC STANDARD BUS SHELTER WITH SKI RACK ACCESSORY FROM CAM NZ OR APPROVED EQUIVALENT.
- REFER TO OPUS DRAWING 6-XQ081.01-C05 FOR BUS SHELTER DETAILS AND SPECIFICATIONS, DRAWING 6-XQ081.01-C06 FOR BUS SHELTER STANDARD SLAB DETAILS AND 6-XQ081.01-C07 FOR STANDARD BIKE RACK DETAILS.
- ALL CONSTRUCTION ELEMENTS ARE TO BE IN ACCORDANCE WITH QLDC STANDARD DETAILS, REFER TO LIST ABOVE.
- ALL TRAFFIC SIGNS AND ROAD MARKINGS TO BE IN ACCORDANCE WITH MOTSAM/TCO.
- BUS STOP SIGN SUPPLIERS:
 - RP-5 BUS STOP AND POST TO BE SUPPLIED BY CONTRACTOR.
 - TIMETABLE TO BE SUPPLIED BY ORC.
 - SWIVEL BOARD TO BE SUPPLIED BY QLDC.
- TREES TO BE TRIMMED TO ALLOW FOOTPATH CONSTRUCTION.

SERVICES DISCLAIMER

PIPES, CABLES AND OTHER UTILITIES, FOUNDATIONS, LEVELS, REFERENCE MARKS AND OTHER OBSTRUCTIONS INDICATED ON THIS DRAWING ARE BASED ONLY ON READILY AVAILABLE RECORD PLANS AND OTHER INFORMATION. THIS INFORMATION MAY NOT BE COMPLETE, ACCURATE NOR UP TO DATE. PRIOR TO CARRYING OUT ANY EXCAVATION OR OTHER PHYSICAL WORK, CONTRACTORS SHALL OBTAIN THE LATEST INFORMATION FROM UTILITY PROVIDERS AND CARRY OUT DETAILED EXPLORATORY WORK, TRACING, SW LOCATING, PROTECTION, ISOLATION AND ALTERATIONS AS ARE REQUIRED UNDER NZS 3910 CLAUSE 5.13.

QLDC INFRASTRUCTURE CODE PART 4
STANDARD DRAWINGS REFERENCED :

- B5-8 KERB AND DISH CHANNEL (PROFILES)
- B5-22 HEAVY DUTY FOOTPATH (CONCRETE)
- B5-23 FOOTPATH - ASPHALT AND GRITTED DETAILS

SITE 9

HANLEY FARM - LOCATION B OPTION 1

NOT FOR CONSTRUCTION

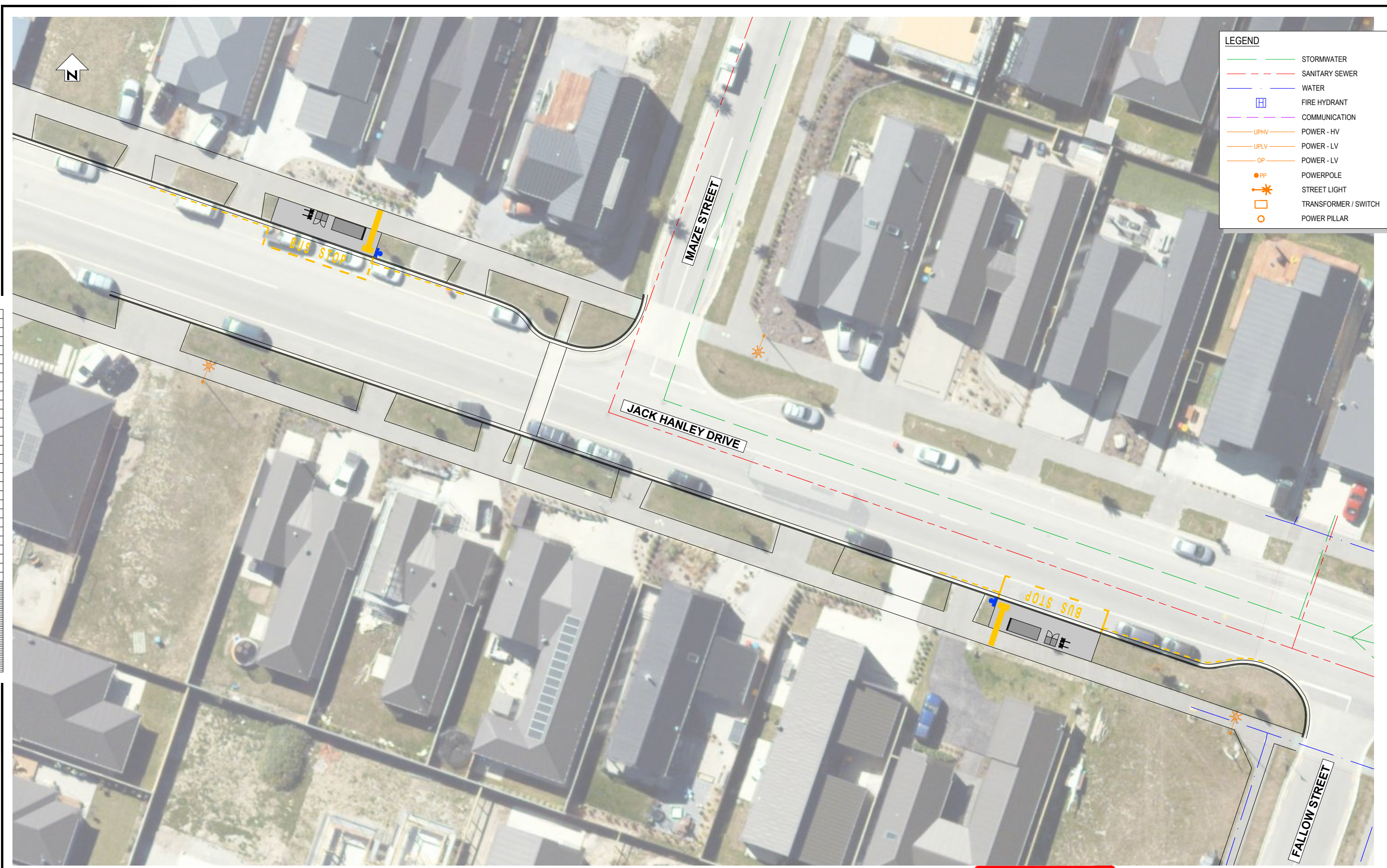


QUEENSTOWN LAKES DISTRICT COUNCIL
MODE SHIFT PT MINOR IMPROVEMENTS TRANCHE 2
SOUTHERN CORRIDOR - HANLEY FARM
LOCATION B - SITE LAYOUT PLAN OPTION 1

Status Stamp	FOR REVIEW
Date Stamp	11.06.21
Scales	1 : 200
Drawing No.	310204458-T2-009-C081
Rev.	D

ORIGINAL SIZE A1

Last modified: Jan 20 2021 By Phillip Cook



LEGEND	
	STORMWATER
	SANITARY SEWER
	WATER
	FIRE HYDRANT
	COMMUNICATION
	POWER - HV
	POWER - LV
	POWER - LV
	POWERPOLE
	STREET LIGHT
	TRANSFORMER / SWITCH
	POWER PILLAR



SITE 9
HANLEY FARM - LOCATION B OPTION 1

WARNING
BEWARE OF UNDERGROUND SERVICES
THE LOCATIONS OF UNDERGROUND SERVICES ARE APPROXIMATE ONLY AND THEIR EXACT POSITION SHOULD BE PROVEN ON SITE NO GUARANTEE IS GIVEN THAT ALL EXISTING SERVICES ARE SHOWN.



NOT FOR CONSTRUCTION

REV	DESCRIPTION	DATE	BY	CHK	APP
D	FOR REVIEW - TACTILES AMENDED	06/21	PJC	IB	
C	DETAILED DESIGN	05/21	PJC	IB	
B	CLIENT REVIEW	03/21	PJC	WB	
A	PRELIMINARY DESIGN	01/21	PJC	WB	
	REVISIONS		DRN	CHK	APP

SURVEYED		
DESIGNED		
DRAWN	Phillip J Cook	01/21
CAD REVIEW		
DESIGN CHECK		
DESIGN REVIEW		
APPROVED	NOT APPROVED	
PROF REGISTRATION:		



QUEENSTOWN LAKES DISTRICT COUNCIL
MODE SHIFT PT MINOR IMPROVEMENTS TRANCHE 2
SOUTHERN CORRIDOR - HANLEY FARM
LOCATION B - SERVICES PLAN OPTION 1

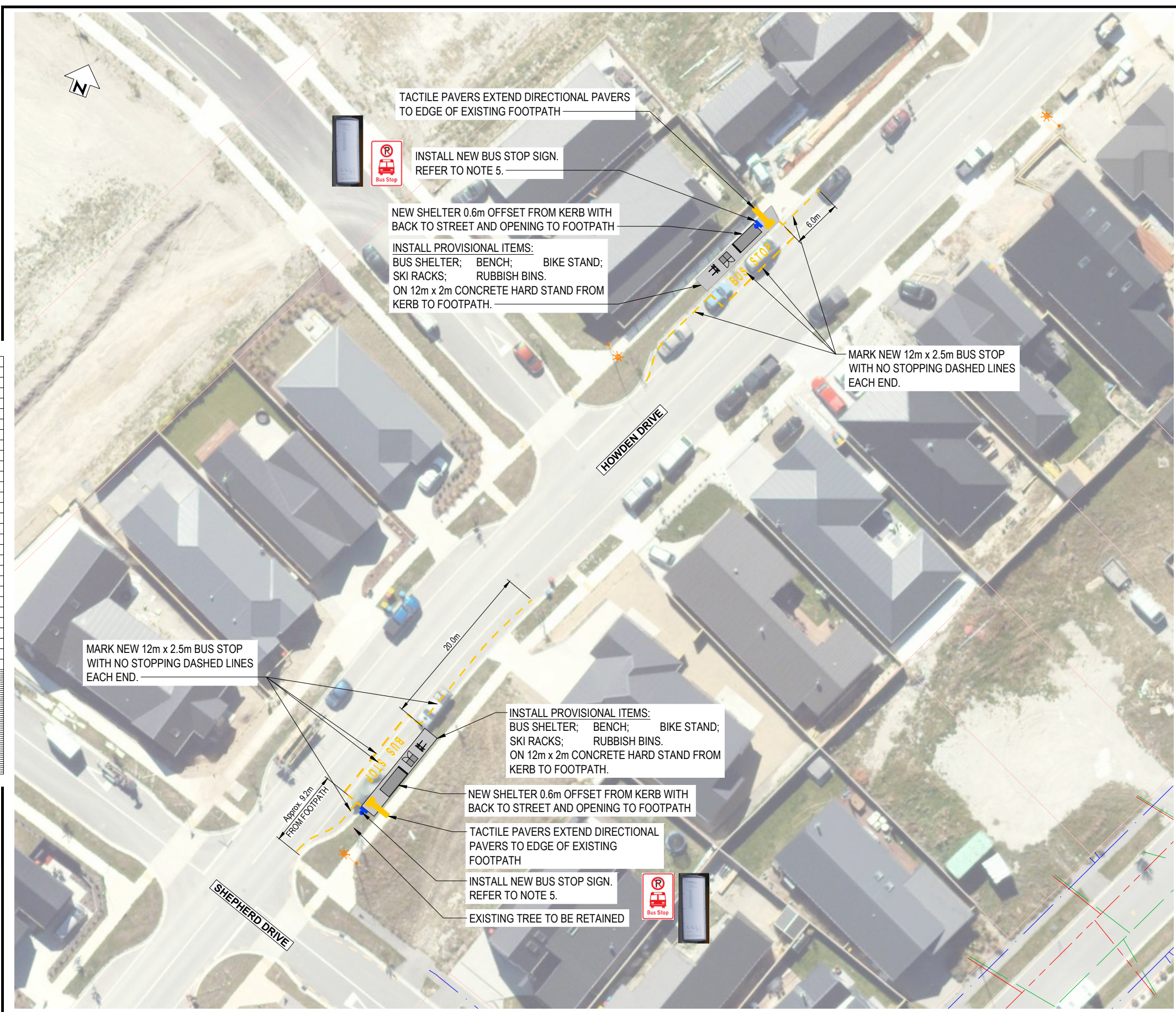
Status Stamp	FOR REVIEW
Date Stamp	11.06.21
Scales	1 : 200
Drawing No.	310204458-T2-009-C082
Rev.	D

DO NOT SCALE - IF IN DOUBT, ASK

200 mm
150
100
90
80
70
60
50
40
30
20
10
0

ORIGINAL SIZE A1

Last modified: Jan 20 2021 By Phillip Cook



SITE 10

HANLEY FARM - LOCATION C

REV	REVISIONS	DRN	CHK	APP	DATE
D	FOR REVIEW - TACTILES AMENDED, NORTH BOUND BUS STOP RELOCATED.	PJC	IB		06/21
C	DETAILED DESIGN	PJC	IB		05/21
B	CLIENT REVIEW	PJC	WB		03/21
A	PRELIMINARY DESIGN	PJC	WB		01/21

SURVEYED		
DESIGNED		
DRAWN	Phillip J Cook	01/21
CAD REVIEW		
DESIGN CHECK		
DESIGN REVIEW		
APPROVED	NOT APPROVED	
PROF REGISTRATION:		



QUEENSTOWN LAKES DISTRICT COUNCIL
 MODE SHIFT PT MINOR IMPROVEMENTS TRANCHE 2
 SOUTHERN CORRIDOR - HANLEY FARM
 LOCATION C - SITE LAYOUT PLAN

NOT FOR CONSTRUCTION

Status Stamp	FOR REVIEW
Date Stamp	24.06.21
Scales	1 : 250
Drawing No.	310204458-T2-010-C091
Rev.	D

NOTES

- CONTRACTOR TO SUPPLY, FABRICATE AND INSTALL NEW QLDC STANDARD BUS SHELTER WITH SKI RACK ACCESSORY FROM CAM NZ OR APPROVED EQUIVALENT.
- REFER TO OPUS DRAWING 6-XQ081.01-C05 FOR BUS SHELTER DETAILS AND SPECIFICATIONS, DRAWING 6-XQ081.01-C06 FOR BUS SHELTER STANDARD SLAB DETAILS AND 6-XQ081.01-C07 FOR STANDARD BIKE RACK DETAILS.
- ALL CONSTRUCTION ELEMENTS ARE TO BE IN ACCORDANCE WITH QLDC STANDARD DETAILS, REFER TO LIST ABOVE.
- ALL TRAFFIC SIGNS AND ROAD MARKINGS TO BE IN ACCORDANCE WITH MOTSAM/TCO.
- BUS STOP SIGN SUPPLIERS:
 - RP-5 BUS STOP AND POST TO BE SUPPLIED BY CONTRACTOR.
 - TIMETABLE TO BE SUPPLIED BY ORC.
 - SWIVEL BOARD TO BE SUPPLIED BY QLDC.
- TREES TO BE TRIMMED TO ALLOW FOOTPATH CONSTRUCTION.

SERVICES DISCLAIMER

PIPES, CABLES AND OTHER UTILITIES, FOUNDATIONS, LEVELS, REFERENCE MARKS AND OTHER OBSTRUCTIONS INDICATED ON THIS DRAWING ARE BASED ONLY ON READILY AVAILABLE RECORD PLANS AND OTHER INFORMATION. THIS INFORMATION MAY NOT BE COMPLETE, ACCURATE NOR UP TO DATE. PRIOR TO CARRYING OUT ANY EXCAVATION OR OTHER PHYSICAL WORK, CONTRACTORS SHALL OBTAIN THE LATEST INFORMATION FROM UTILITY PROVIDERS AND CARRY OUT DETAILED EXPLORATORY WORK, TRACING, SW LOCATING, PROTECTION, ISOLATION AND ALTERATIONS AS ARE REQUIRED UNDER NZS 3910 CLAUSE 5.13.

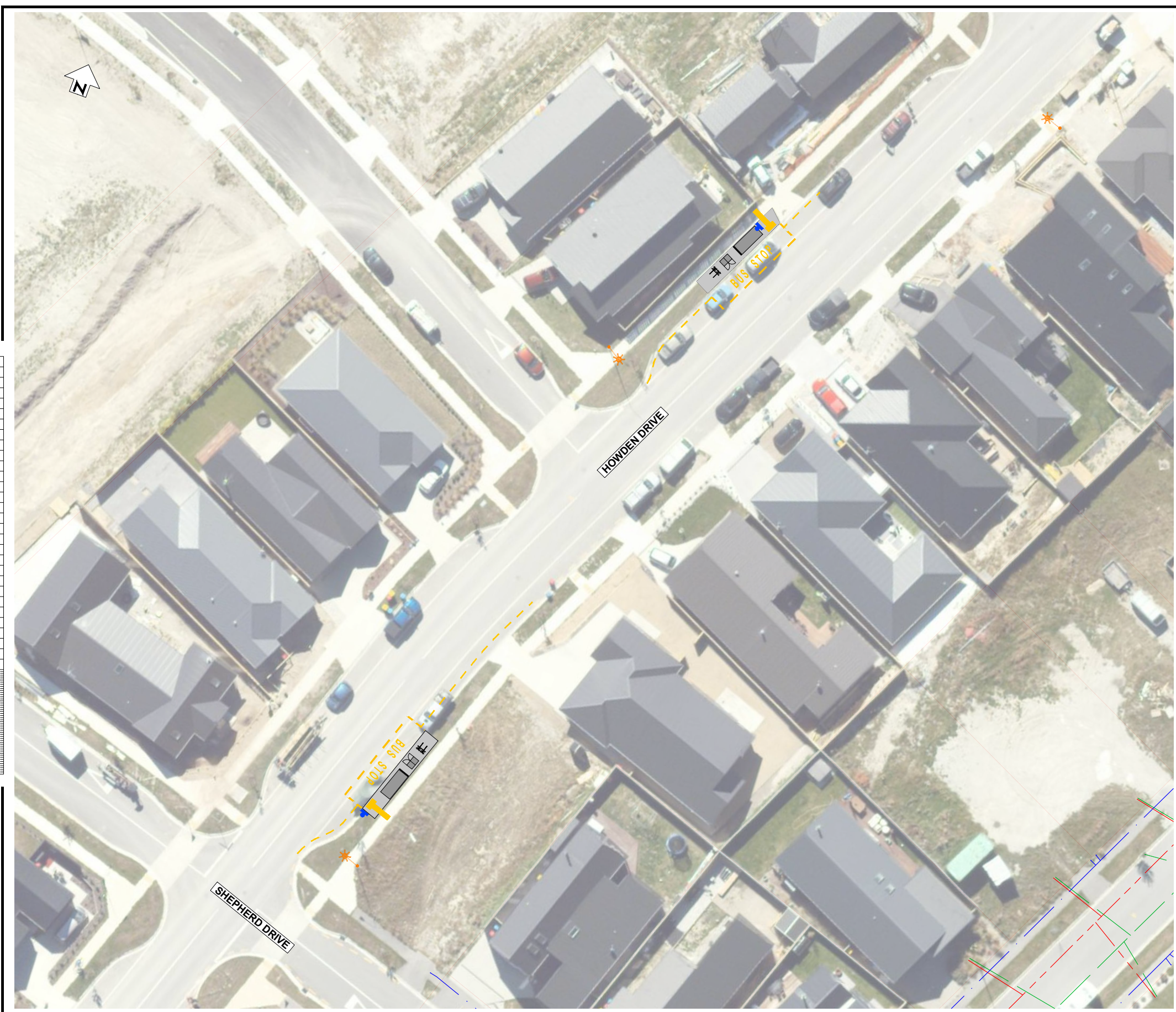
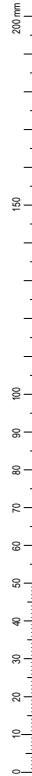
QLDC INFRASTRUCTURE CODE PART 4 STANDARD DRAWINGS REFERENCED :

- B5-8 KERB AND DISH CHANNEL (PROFILES)
- B5-22 HEAVY DUTY FOOTPATH (CONCRETE)
- B5-23 FOOTPATH - ASPHALT AND GRITTED DETAILS

ORIGINAL SIZE A1

Last modified: Jan 20 2021 By Phillip Cook

DONOT SCALE-IF IN DOUBT, ASK



LEGEND	
	STORMWATER
	SANITARY SEWER
	WATER
	FIRE HYDRANT
	COMMUNICATION
	POWER - HV
	POWER - LV
	POWER - LV
	POWERPOLE
	STREET LIGHT
	TRANSFORMER / SWITCH
	POWER PILLAR

WARNING
BEWARE OF UNDERGROUND SERVICES
THE LOCATIONS OF UNDERGROUND SERVICES ARE APPROXIMATE ONLY AND THEIR EXACT POSITION SHOULD BE PROVEN ON SITE NO GUARANTEE IS GIVEN THAT ALL EXISTING SERVICES ARE SHOWN.

DIAL BEFORE YOU DIG



SITE 10
HANLEY FARM - LOCATION C

NOT FOR CONSTRUCTION

REV	DESCRIPTION	DRN	CHK	APP	DATE
D	FOR REVIEW - TACTILES AMENDED, NORTH BOUND BUS STOP RELOCATED.	PJC	IB		06/21
C	DETAILED DESIGN	PJC	IB		05/21
B	CLIENT REVIEW	PJC	WB		03/21
A	PRELIMINARY DESIGN	PJC	WB		01/21

SURVEYED		
DESIGNED		
DRAWN	Phillip J Cook	01/21
CAD REVIEW		
DESIGN CHECK		
DESIGN REVIEW		
APPROVED	NOT APPROVED	
PROF REGISTRATION:		



QUEENSTOWN LAKES DISTRICT COUNCIL
MODE SHIFT PT MINOR IMPROVEMENTS TRANCHE 2
SOUTHERN CORRIDOR - HANLEY FARM
LOCATION C - SERVICES PLAN

Status Stamp	FOR REVIEW
Date Stamp	24.06.21
Scales	1 : 250
Drawing No.	310204458-T2-010-C092
Rev.	D